

Wichita, KS – MAYB
April 4, 2015

PUSH THE ROCK EASTER CLASSIC

April 4, 2015
Wichita, KS

All Games Played at the

Farha Sports Center
3405 S Meridian Ave.,
Wichita, KS 67217

Admission Fee:
Adults – \$6.00
Students (K-12) - \$4.00

Wichita, KS – MAYB
 April 4, 2015

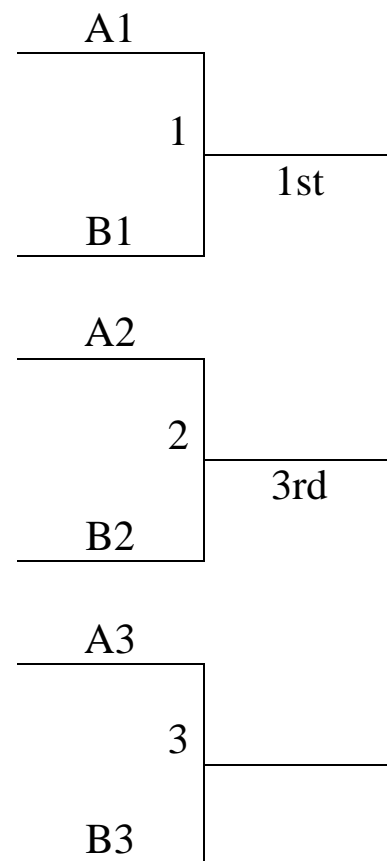
4th/5th Grade Boys Division

<u>Pool A</u>	<u>W</u>	<u>L</u>	<u>Pool B</u>	<u>W</u>	<u>L</u>
1. Oz Elite 10U Gold			4. Emporia Jr Spartans		
2. Blend 2022			5. Cheney Sharp Shooters		
3. KS Players			6. Oz Elite 11U		

Saturday Only Tournament

Seed from Pool will determine seed of bracket game.
 Tie Breaker – 2 way – head to head – 3 way – +/- 15 points

Saturday	Court 1	Court 2	Court 5	Court 6
8:00	-	-	-	-
9:00	-	-	-	-
10:00	-	-	-	-
11:00	-	-	1-2	4-5
12:00	-	-	-	-
1:00	-	-	1-3	4-6
2:00	-	-	-	-
3:00	-	-	5-6	2-3
4:00	-	-	-	-
5:00	G1	G2	-	-
6:00	-	-	-	G3
7:00	-	-	-	-
8:00	-	-	-	-
9:00	-	-	-	-
10:00	-	-	-	-



Wichita, KS – MAYB
 April 4, 2015

6th Grade Boys

<u>Pool E</u>	<u>W</u>	<u>L</u>	<u>Points</u>
1. Runners			
2. Elbing Warriors			
3. H.E.S. Bulldogs			
4. Wichita Wizards			

Tie Breaker – 2 way – head to head – 3 way – +/- 15 points

This is a Saturday only tournament

Saturday	Court 1	Court 3	Court 4	Court 5	Court 7
8:00	-	-	-	-	-
9:00	-	-	-	-	-
10:00	-	-	-	-	-
11:00	-	-	-	-	-
12:00	-	1-2	3-4	-	-
1:00	-	-	-	-	-
2:00	-	-	-	1-3	-
3:00	2-4	-	-	-	-
4:00	-	-	-	-	-
5:00	-	2-3	-	-	-
6:00	-	-	-	-	1-4
7:00	-	-	-	-	-

7th Grade Boys Division

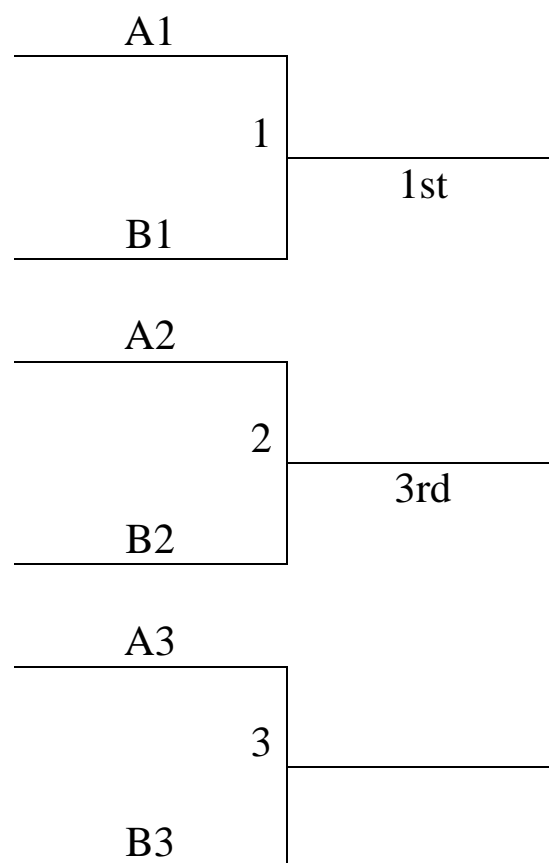
<u>Pool A</u>	<u>W</u>	<u>L</u>	<u>Pool B</u>	<u>W</u>	<u>L</u>
1. Olathe Cats - White			4. Olathe Cats - Blue		
2. Americus Dream			5. Wichita Magic		
3. Biggins			6. Eagles		

Saturday Only Tournament

Games will be played with a 28.5" basketball

Seed from Pool will determine seed of bracket game.
 Tie Breaker – 2 way – head to head – 3 way – +/- 15 points

Saturday	Court 3	Court 4	Court 5
8:00	-	-	-
9:00	-	-	-
10:00	-	-	-
11:00	2-3	5-6	-
12:00	-	-	-
1:00	4-6	-	-
2:00	1-2	-	-
3:00	4-5	-	-
4:00	1-3	-	-
5:00	-	-	-
6:00	G1	G2	G3
7:00	-	-	-
8:00	-	-	-
9:00	-	-	-
10:00	-	-	-



Wichita, KS – MAYB

April 4, 2015

8th Grade Boys

<u>Pool E</u>	<u>W</u>	<u>L</u>	<u>Points</u>
1. Douglass			
2. Sharks			
3. Thunder Hoops			
4. Shooters			

Games will be played with a 29.5” basketball

Tie Breaker – 2 way – head to head – 3 way – +/- 15 points

This is a Saturday only tournament

Saturday	Court 4	Court 5	Court 6
8:00	-	-	-
9:00	-	-	-
10:00	-	-	-
11:00	-	-	-
12:00	-	1-2	3-4
1:00	-	-	-
2:00	-	-	2-4
3:00	1-3	-	-
4:00	-	-	-
5:00	-	1-4	2-3
6:00	-	-	-
7:00	-	-	-

Wichita, KS – MAYB
April 4, 2015

9th/10th Grade Boys

<u>Pool E</u>	<u>W</u>	<u>L</u>	<u>Points</u>
1. Rebels			
2. RoCo Elite			
3. Mid Kansas			
4. Wichita Padres			

Tie Breaker – 2 way – head to head – 3 way – +/- 15 points

This is a Saturday only tournament

Saturday	Court 1	Court 2
8:00	-	-
9:00	-	-
10:00	-	-
11:00	-	-
12:00	1-2	3-4
1:00	-	-
2:00	1-3	2-4
3:00	-	-
4:00	1-4	2-3
5:00	-	-
6:00	-	-
7:00	-	-

Wichita, KS – MAYB
 April 4, 2015

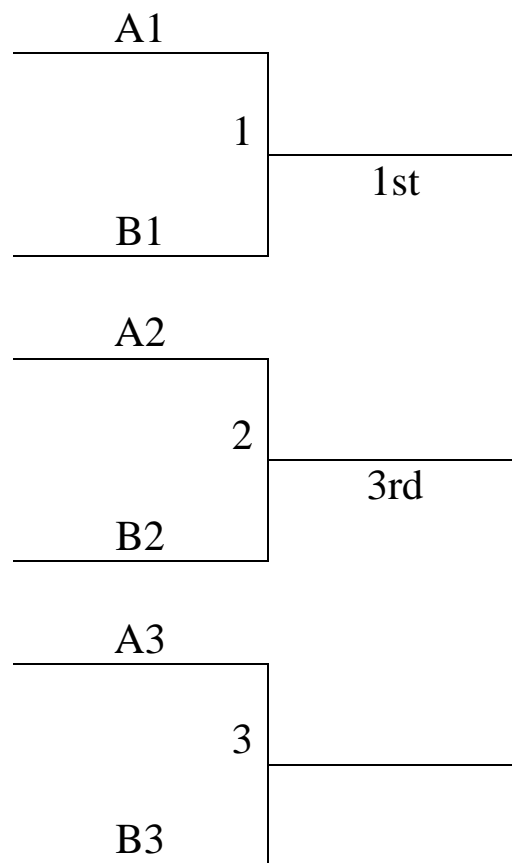
11th/12th Grade Boys Division

<u>Pool A</u>	<u>W</u>	<u>L</u>	<u>Pool B</u>	<u>W</u>	<u>L</u>
1. KS Players			4. Wichita Shox		
2. Weasels			5. Norman Elite		
3. PJ's Elite			6. SBM Elite		

Saturday Only Tournament

Seed from Pool will determine seed of bracket game.
 Tie Breaker – 2 way – head to head – 3 way – +/- 15 points

Saturday	Court 4	Court 7	Court 8
8:00	-	-	-
9:00	-	-	-
10:00	-	-	-
11:00	-	1-2	4-6
12:00	-	-	-
1:00	-	1-3	4-5
2:00	-	-	-
3:00	-	5-6	2-3
4:00	-	-	-
5:00	G3	G1	G2
6:00	-	-	-
7:00	-	-	-
8:00	-	-	-
9:00	-	-	-
10:00	-	-	-



Wichita, KS – MAYB
 April 4, 2015

5th/6th Grade Girls

<u>Pool E</u>	<u>W</u>	<u>L</u>	<u>Points</u>
1. Cheney - 5 th			
2. H.E.S. Lady Bulldogs – 6 th			
3. Lady Oz Elite – 5 th			
4. Cats			

Tie Breaker – 2 way – head to head – 3 way – +/- 15 points

This is a Saturday only tournament

Saturday	Court 1	Court 2	Court 4	Court 6
8:00	-	-	-	-
9:00	-	-	-	-
10:00	-	-	-	-
11:00	-	-	-	-
12:00	-	-	-	-
1:00	-	-	1-2	-
2:00	-	-	3-4	-
3:00	-	-	-	-
4:00	-	-	2-4	1-3
5:00	-	-	-	-
6:00	1-4	2-3	-	-
7:00	-	-	-	-
8:00	-	-	-	-
9:00	-	-	-	-
10:00	-	-	-	-

Wichita, KS – MAYB
April 4, 2015

7th/8th Grade Girls

<u>Pool E</u>	<u>W</u>	<u>L</u>	<u>Points</u>
1. Hoops – Davison			
2. H.E.S. Lady Bulldogs			
3. Kansas Flashers			
4. Power Flower			

Tie Breaker – 2 way – head to head – 3 way – +/- 15 points

This is a Saturday only tournament

Saturday	Court 1	Court 2	Court 5
8:00	-	-	-
9:00	-	-	-
10:00	-	-	-
11:00	1-2	3-4	-
12:00	-	-	-
1:00	1-3	2-4	-
2:00	-	-	-
3:00	-	2-3	-
4:00	-	-	1-4
5:00	-	-	-
6:00	-	-	-
7:00	-	-	-
8:00	-	-	-
9:00	-	-	-
10:00	-	-	-

Wichita, KS – MAYB
April 4, 2015

HS Girls

<u>Pool E</u>	<u>W</u>	<u>L</u>	<u>Points</u>
1. Kansas Sparq			
2. Oklahoma X			
3. SW Jaguars			
4. Twin Lakes Stars			

Tie Breaker – 2 way – head to head – 3 way – +/- 15 points

This is a Saturday only tournament

Saturday	Court 7	Court 8
8:00	-	-
9:00	-	-
10:00	-	-
11:00	-	-
12:00	1-2	3-4
1:00	-	-
2:00	1-3	2-4
3:00	-	-
4:00	1-4	2-3
5:00	-	-
6:00	-	-
7:00	-	-

