

Newton, KS – MAYB
February 21, 2015



Gym Locations

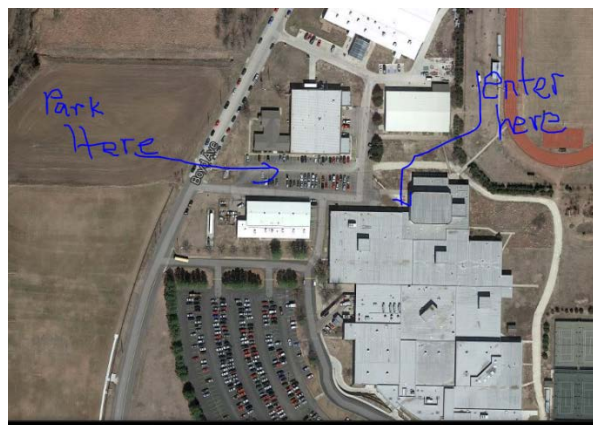
Willis and Ravenscroft = Newton HS - 900 W. 12th – Newton, KS 67114
Chisholm 1 and 2 = Chisholm Middle School – 900 E. 1st St. – Newton, KS 67114
Lindley– 130 W. Broadway – Newton, KS 67114

Chisholm MS: 900 E 1st St. – Newton, KS 67114 –From the North: take I-135 South to Exit 31, take the access road to the First street exit, at the roundabout, exit right immediately, school will be down the street on the right.

Lindley Hall 130 W. Broadway – Newton, KS 67114 Exit 31 from the South and Exit 31 from the North, use roundabout, head west on Broadway. Cross Main Street 1 block. Santa Fe MS is on the north side of the road. Turn north on Poplar.

Newton HS 900 W. 12th – Newton, KS 67114 Exit 34 south on Main to 12th St. West on 12th high school on north side of road.

There is a school basketball tournament going on in their main gymnasium. Please do not enter on the West side of the high school. Please park on the NW corner of the high school and enter on the North side. Brooks Trade and Auto Mechanics are the 2 buildings to the West of Willis gym. Please ask them not to park in front of the fire lane chain or block any drives.



Newton, KS – MAYB
February 21, 2015



5th Grade Boys

<u>Pool A</u>	<u>W</u>	<u>L</u>
1. Mac Heat		
2. Hesston		
3. Newton Railers		
4. Augusta Outlaws		
5. Liberal Bombers		

Saturday Only Tournament

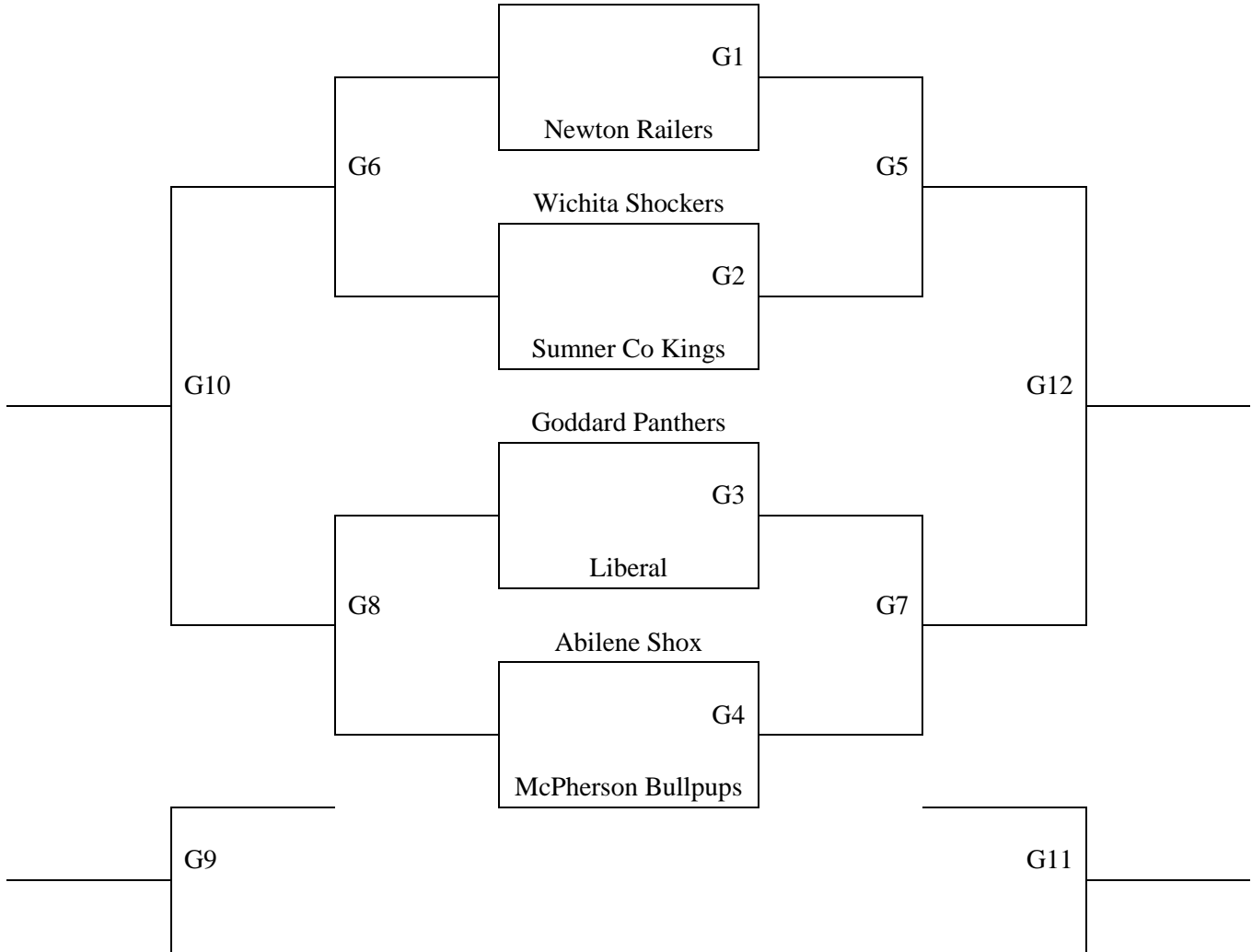
This is a round robin tournament
Tie Breaker – 2 way – head to head – 3 way – +/- 15 points

Saturday	Lindley	Willis
8:00	-	-
9:00	3-4	1-2
10:00	-	-
11:00	3-5	1-4
12:00	-	-
1:00	1-3	2-5
2:00	-	-
3:00	-	-
4:00	-	-
5:00	2-4	1-5
6:00	-	-
7:00	-	-
8:00	2-3	4-5
9:00	-	-

Newton, KS – MAYB
February 21, 2015



6th Grade Boys
Hesston Mid KS



Saturday	Chisholm 1	Chisholm 2	Lindley	Willis
8:00	G1	G2	-	-
9:00	-	-	-	-
10:00	G5	G6	-	-
11:00	-	-	-	-
12:00	-	-	-	-
1:00	-	-	-	-
2:00	-	-	G3	G4
3:00	-	-	-	-
4:00	G7	G8	-	-
5:00	-	-	-	-
6:00	G9	G10	-	-
7:00	G11	G12	-	-

Newton, KS – MAYB
February 21, 2015



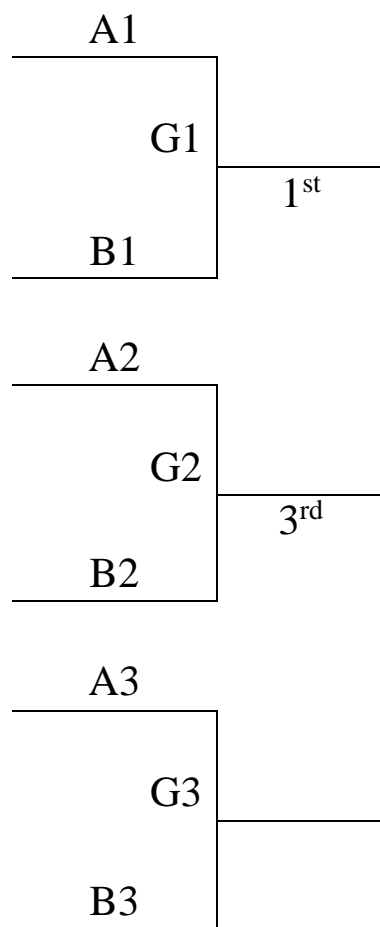
7th Grade Boys

<u>Pool A</u>	<u>W</u>	<u>L</u>	<u>Pool B</u>	<u>W</u>	<u>L</u>
1. Salina Dawgz			4. Mustangs Bezdek		
2. Eagles Simpson			5. Mid KS Crew		
3. Mid Kansas Simpson			6. EC Elite		

Saturday Only Tournament

A teams record in pool play determines their placement on the bracket
Tie Breaker – 2 way – head to head – 3 way – +/- 15 points

Saturday	Chisholm 1	Lindley	Willis
8:00	-	2-3	4-5
9:00	-	-	-
10:00	-	1-2	5-6
11:00	-	-	-
12:00	-	1-3	4-6
1:00	-	-	-
2:00	-	-	-
3:00	-	-	-
4:00	-	-	-
5:00	-	-	-
6:00	-	-	-
7:00	-	-	-
8:00	-	-	-
9:00	G1	G2	G3



Newton, KS – MAYB
February 21, 2015



7th/8th Grade Boys

<u>Pool A</u>	<u>W</u>	<u>L</u>
1. Splash Squad		
2. H-Town Hoopsters		
3. NLHA Orange		
4. Kansas Fury		

Saturday Only Tournament

This is a round robin tournament
Tie Breaker – 2 way – head to head – 3 way – +/- 15 points

Saturday	Chisholm 2	Lindley	Willis
8:00	-	-	-
9:00	-	-	-
10:00	-	-	-
11:00	-	-	-
12:00	-	-	-
1:00	-	-	-
2:00	-	-	-
3:00	-	1-3	2-4
4:00	-	-	-
5:00	-	-	-
6:00	-	1-2	3-4
7:00	-	-	-
8:00	1-4	-	-
9:00	2-3	-	-



4th/5th Grade Girls

<u>Pool A</u>	<u>W</u>	<u>L</u>
1. Lady Defenders – 4 th		
2. Mustangs – 5 th		
3. KS NLHA ASICS Boettjer – 5 th		
4. McPherson Lady Pups – 5 th		

Saturday Only Tournament

This is a round robin tournament
Tie Breaker – 2 way – head to head – 3 way – +/- 15 points

Saturday	Chisholm 1	Chisholm 2
8:00	-	-
9:00	-	-
10:00	-	-
11:00	-	-
12:00	1-2	3-4
1:00	-	-
2:00	-	-
3:00	1-3	2-4
4:00	-	-
5:00	1-4	2-3
6:00	-	-
7:00	-	-
8:00	-	-
9:00	-	-

Newton, KS – MAYB
February 21, 2015



6th Grade Girls

<u>Pool A</u>	<u>W</u>	<u>L</u>	<u>Pool B</u>	<u>W</u>	<u>L</u>
1. KS NLHA ASICS Kennedy			4. KS NLHA ASICS Wheatley – 5 th		
2. Dragons			5. Eclipse		
3. Winfield Vikings			6. Augusta Bluejays		

Saturday Only Tournament

A teams record in pool play determines their placement on the bracket
Tie Breaker – 2 way – head to head – 3 way – +/- 15 points

Saturday	Chisholm 1	Chisholm 2	Lindley	Willis	
8:00	-	-	-	-	A1
9:00	1-2	4-5	-	-	G1
10:00	-	-	-	-	B1
11:00	1-3	4-6	-	-	
12:00	-	-	-	-	A2
1:00	-	-	-	-	G2
2:00	-	-	-	-	B2
3:00	-	-	-	-	
4:00	-	-	2-3	5-6	
5:00	-	-	-	-	
6:00	-	-	-	-	
7:00	-	-	G1	G2	A3
8:00	G3	-	-	-	G3
9:00	-	-	-	-	B3

1st

3rd

Newton, KS – MAYB
February 21, 2015



Gym Master

Saturday	Chisholm 1	Chisholm 2	Lindley	Willis
8:00	6B	6B	7B	7B
9:00	6G	6G	5B	5B
10:00	6B	6B	7B	7B
11:00	6G	6G	5B	5B
12:00	4/5G	4/5G	7B	7B
1:00			5B	5B
2:00			6B	6B
3:00	4/5G	4/5G	7/8B	7/8B
4:00	6B	6B	6G	6G
5:00	4/5G	4/5G	5B	5B
6:00	6B	6B	7/8B	7/8B
7:00	6B	6B	6G	6G
8:00	6G	7/8B	5B	5B
9:00	7B	7/8B	7B	7B