

6th & 7th Grade Boys

Pool A	W	L	Pool B	W	L
1. KS Flash	3	0	5. Lawrence Cougars	2	1
2. Sabetha Jays	2	1	6. Leavenworth 7	3	0
3. Lansing Mavericks	0	3	7. Falls City NE Tigers	1	2
4. Acadia Auto	1	2	8. Mid-Kan Heat	0	3

MAYB Topeka Tournament June 13-15 2008

Friday

	Seaman North	Logan
5:00		
5:50		
6:40	6-8	
7:30		
8:20		
9:10	5-8	
10:00		

Saturday

8:00	2-4	
8:55		
9:50		
10:45	5-7	
11:40	1-2	
12:35		
1:30		
2:25	7-8	
3:20	3-4	
4:15		
5:10		
6:05	1-3	
7:00	5-6	
7:55		1-4
8:50	2-3	
9:45	6-7	

Sunday

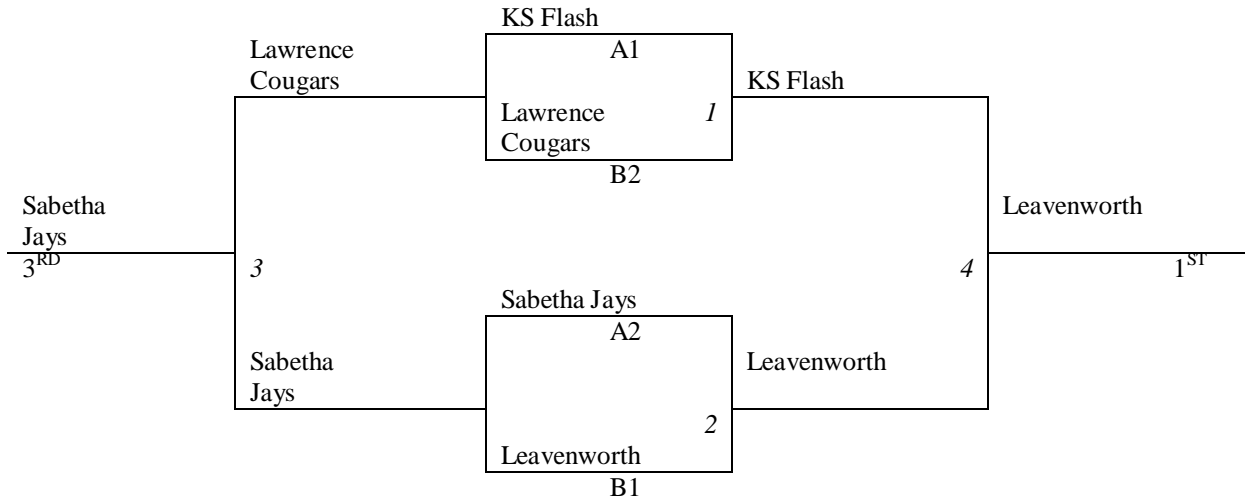
8:00	
8:55	G5
9:50	G6
10:45	G1
11:40	G2
12:35	
1:30	
2:25	
3:20	G7
4:15	G8
5:10	G3
6:05	G4

*G5 starts bracket play

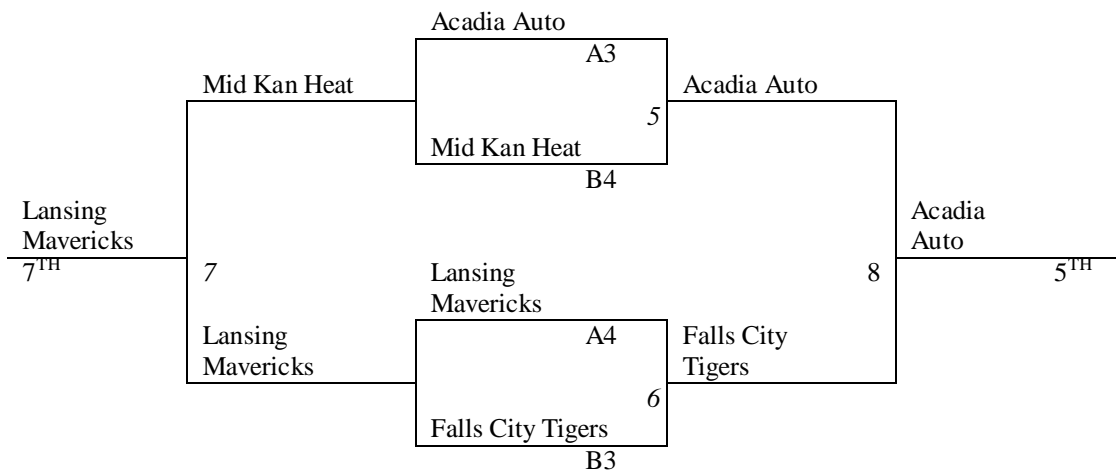
Gym: Seaman North @ Seaman High School & Logan Junior High School

6th & 7th Grade Boys

BRACKET A



CONSOLATION BRACKET



8th Grade Boys: Division 1

Pool A	W	L
1. Traveling Troopers	2	3
2. Gametime Rec – KS	1	4
3. Lawrence Rivals Blue 3 rd Place	3	2
4. KS Elite 2 nd Place	4	1
5. Lions – KS 1 st Place	5	0
6. Falls City Tigers	0	5

MAYB Topeka Tournament June 13-15 2008

Friday

	Seaman North	Logan
5:00	2-3	
5:50	1-5	
6:40		
7:30		
8:20	1-3	
9:10		2-5
10:00		

Saturday

8:00		
8:55	4-6	
9:50	1-6	
10:45		
11:40		
12:35	4-5	
1:30	1-2	
2:25		
3:20		
4:15	3-4	
5:10	5-6	
6:05		
7:00		
7:55	3-6	
8:50		
9:45		

Sunday

8:00	2-4
8:55	
9:50	
10:45	
11:40	
12:35	1-4
1:30	3-5
2:25	2-6
3:20	
4:15	
5:10	
6:05	

Gym: Seaman North @ Seaman High School & Logan Junior High School

8th Grade Boys: Division 2

Pool A		W	L
1. TVLers	1 st Place	5	0
2. Lebo Knights	3 rd Place	3	2
3. Shot Callerz	2 nd Place	4	1
4. St Marys Bears		0	5
5. KS Broncos		1	4
6. PTW-KS		2	3

MAYB Topeka Tournament June 13-15 2008

Friday

	Topeka West	Logan
5:00		
5:50		
6:40		
7:30	2-3	
8:20	4-5	
9:10		
10:00		

Saturday

8:00		
8:55	1-6	
9:50	2-5	
10:45	3-4	
11:40		
12:35		
1:30		
2:25	1-2	
3:20	3-5	
4:15	4-6	
5:10		
6:05		
7:00	1-5	2-4
7:55	3-6	
8:50		
9:45		

Sunday

8:00		
8:55		
9:50		
10:45		
11:40		1-3
12:35		2-6
1:30		
2:25		
3:20		1-4
4:15		5-6
5:10		
6:05		

Gyms: Topeka West High School & Logan Junior High School

9th & 10th Grade Boys: Division 1

Pool A	W	L	Pool B	W	L
1. KC Spartans	3	0	5. Midwest All Stars	0	3
2. Hutton Monument	2	1	6. Orange Crush	1	2
3. Palco Roosters	0	3	7. Trojans 2	2	1
4. JC Jays	1	2	8. Chargers	3	0

MAYB Topeka Tournament June 13-15 2008

Friday

	Topeka West
5:00	5-7
5:50	1-2
6:40	3-4
7:30	
8:20	
9:10	2-3
10:00	7-8

Saturday

8:00	5-6
8:55	
9:50	
10:45	
11:40	1-4
12:35	
1:30	6-8
2:25	
3:20	
4:15	
5:10	1-3
6:05	2-4
7:00	
7:55	
8:50	5-8
9:45	6-7

Sunday

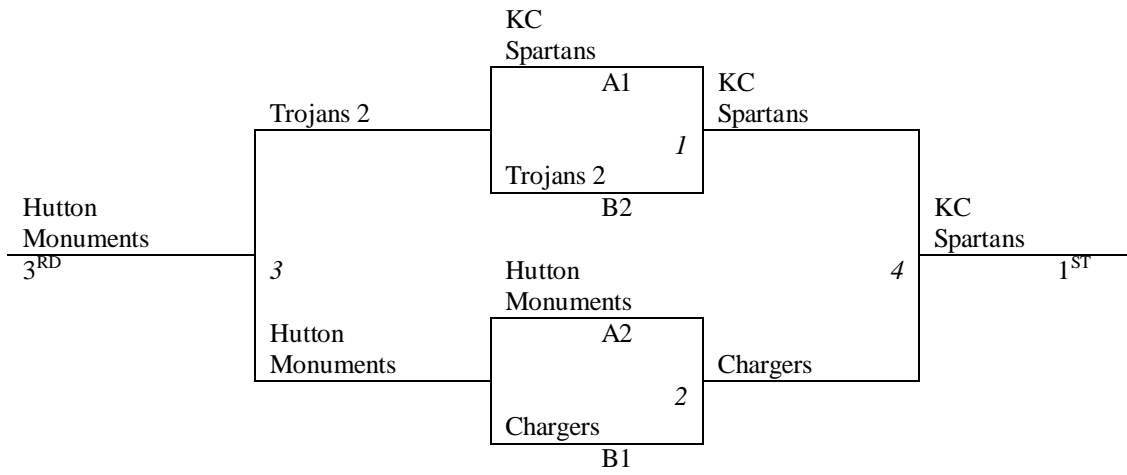
8:00	
8:55	
9:50	G5
10:45	G6
11:40	
12:35	
1:30	G1
2:25	G2
3:20	G7
4:15	G8
5:10	G3
6:05	G4

*G5 starts bracket play

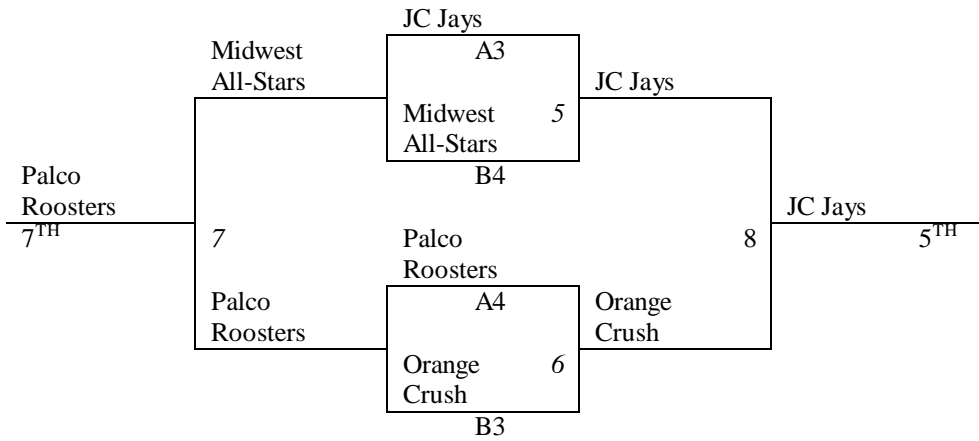
Gym: Topeka West High School

9th & 10th Grade Boys: Division 1

BRACKET A



CONSOLATION BRACKET



9th & 10th Grade Boys: Division 2

Pool A	W	L	Pool B	W	L
1. Flyin Quackers	3	0	5. Gametime Rec	3	0
2. Axtell Eagles	1	2	6. Jefferson North	2	1
3. Waverly	2	1	7. Royal Valley 2	1	2
4. Alma Chargers	0	3	8. Chase Bulldogs	0	3

MAYB Topeka Tournament June 13-15 2008

Friday

	Logan
5:00	
5:55	
6:50	3-4
7:45	5-8
8:40	
9:35	

Saturday

8:00	1-2
8:55	6-8
9:50	5-7
10:45	
11:40	
12:35	1-3
1:30	2-4
2:25	5-6
3:20	7-8
4:15	1-4
5:10	2-3
6:05	6-7
7:00	
7:55	
8:50	
9:45	

Sunday

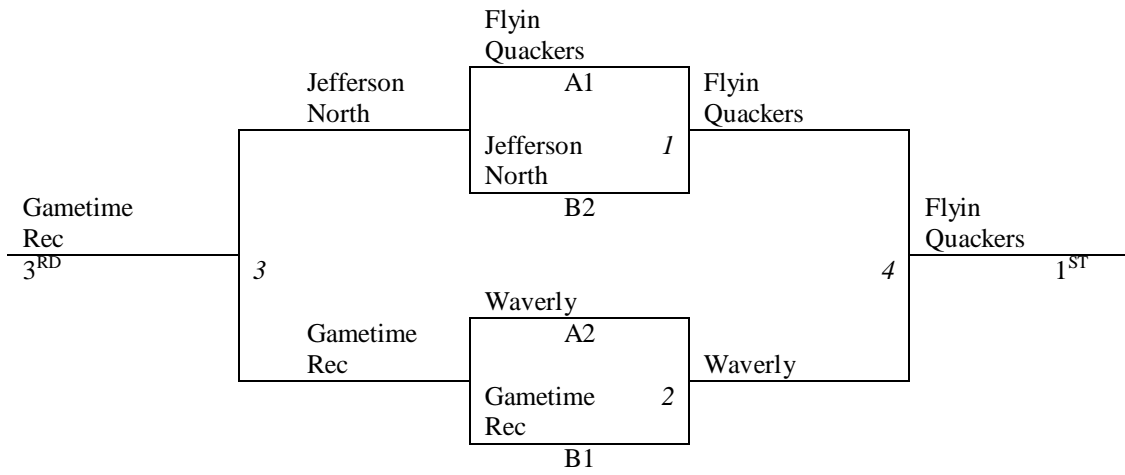
8:00	G5
8:55	G6
9:50	G1
10:45	G2
11:40	
12:35	
1:30	G7
2:25	G8
3:20	
4:15	
5:10	G3
6:05	G4

*G5 starts bracket play

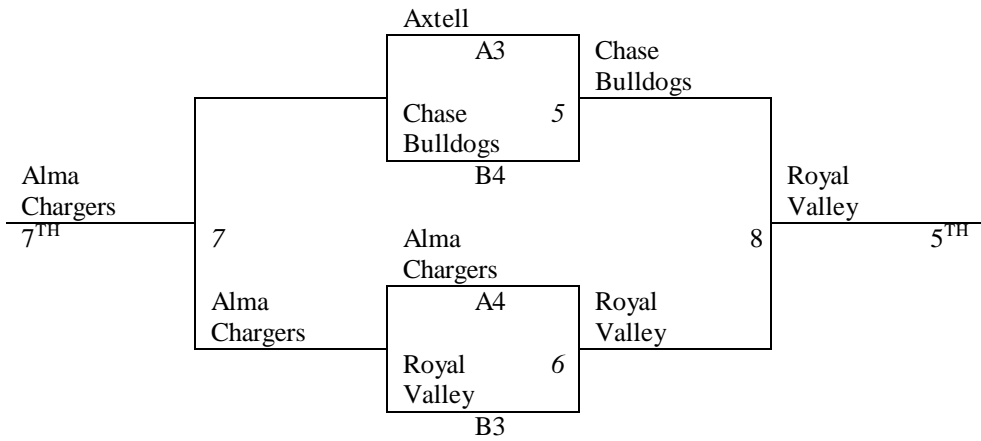
Gym: Logan Jr. High

9th & 10th Grade Boys: Division 2

BRACKET A



CONSOLATION BRACKET



11th & 12th Grade Boys: Division 1

Pool A	W	L	Pool B	W	L
1. KS Red Hawks	3	0	5. Topeka Shockers	2	1
2. Royal Valley 1	0	3	6. KC Spartans	0	3
3. KC Triple Threat	1	2	7. T-Birds	1	2
4. Gametime Rec - North	2	1	8. Trojans 1	3	0

MAYB Topeka Tournament June 13-15 2008

Friday

	Topeka High
5:00	2-4
5:50	5-8
6:40	
7:30	
8:20	
9:10	5-6
10:00	1-4

Saturday

8:00	
8:55	7-8
9:50	
10:45	
11:40	1-3
12:35	
1:30	5-7
2:25	3-4
3:20	6-8
4:15	
5:10	
6:05	1-2
7:00	6-7
7:55	
8:50	
9:45	2-3

Sunday

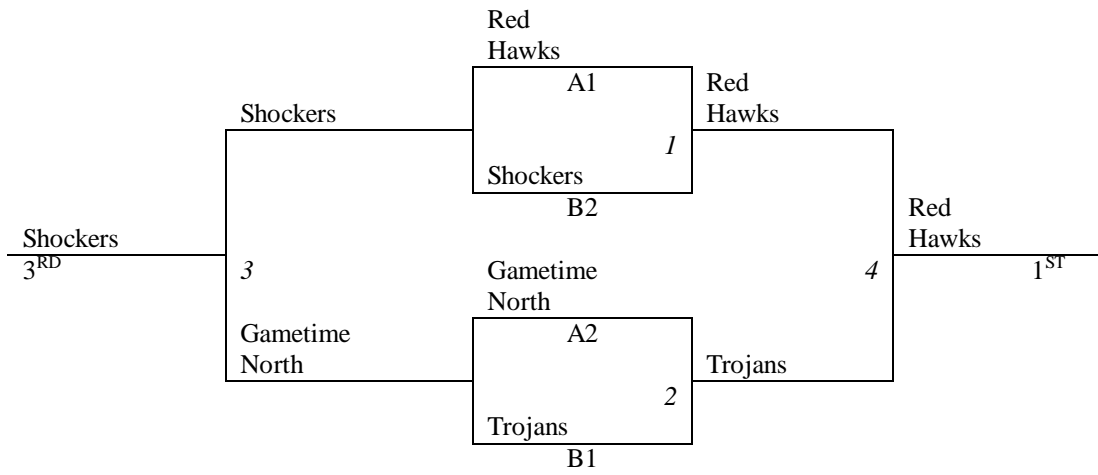
8:00	G5
8:55	G6
9:50	G1
10:45	G2
11:40	
12:35	
1:30	G7
2:25	G8
3:20	
4:15	
5:10	G3
6:05	G4

*G5 starts bracket play

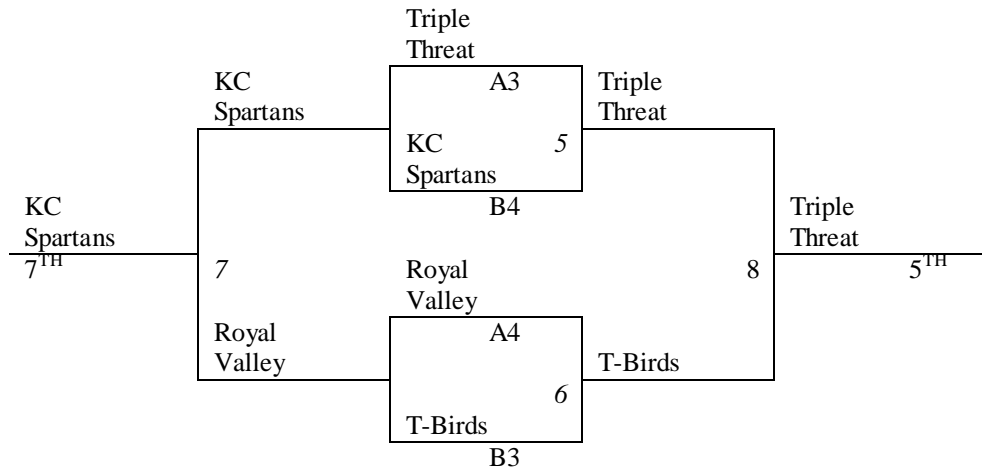
Gym: Topeka High School Auxiliary gym

11th & 12th Grade Boys: Division 1

BRACKET A



CONSOLATION BRACKET



11th & 12th Grade Boys: Division 2

Pool A	W	L	Pool B	W	L
1. Wamego Raiders	2	1	5. St Marys Bears	2	1
2. JC Southwest	3	0	6. Gametime Rec - South	2	1
3. Falls City NE Tigers	1	2	7. Wildcats	2	1
4. Flint Hills Bulldogs	0	3	8. Osage City Assault	0	3

MAYB Topeka Tournament June 13-15 2008

Friday

	Topeka High	Topeka West
5:00		
5:50		
6:40	1-2	
7:30	5-6	
8:20	7-8	
9:10		
10:00		

Saturday

8:00	3-4	
8:55		
9:50	5-8	
10:45	6-7	
11:40		
12:35	1-3	2-4
1:30		
2:25		
3:20		
4:15	2-3	
5:10	6-8	
6:05		
7:00		
7:55	1-4	
8:50	5-7	
9:45		

Sunday

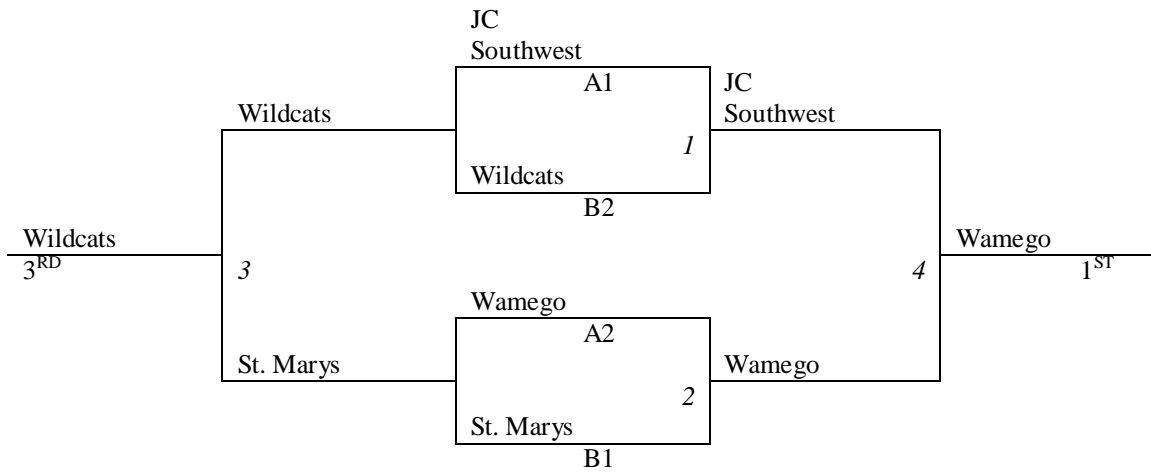
8:00		G5
8:55		G6
9:50		
10:45		
11:40	G1	G7
12:35	G2	G8
1:30		
2:25		
3:20	G3	
4:15	G4	
5:10		
6:05		

*G5 starts bracket play

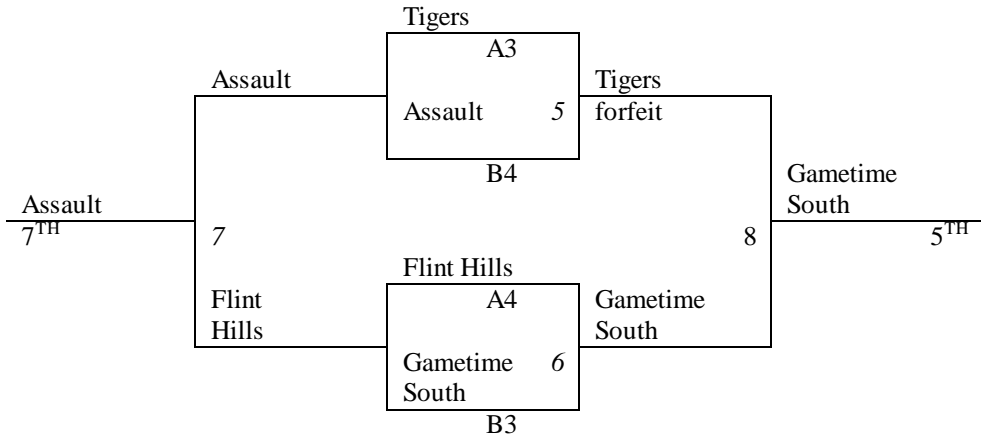
Gym: Topeka High School Auxiliary gym & Topeka West High School

11th & 12th Grade Boys: Division 2

BRACKET A



CONSOLATION BRACKET



6th & 7th Grade Girls

Pool A	W	L
1. Topeka Mini-Trotters	2	2
2. Gardner Blazers	0	4
3. Topeka VooDoo	4	0
4. Topeka Freeze	3	1
5. Lady Dawgz	1	3

MAYB Topeka Tournament June 13-15 2008

Friday

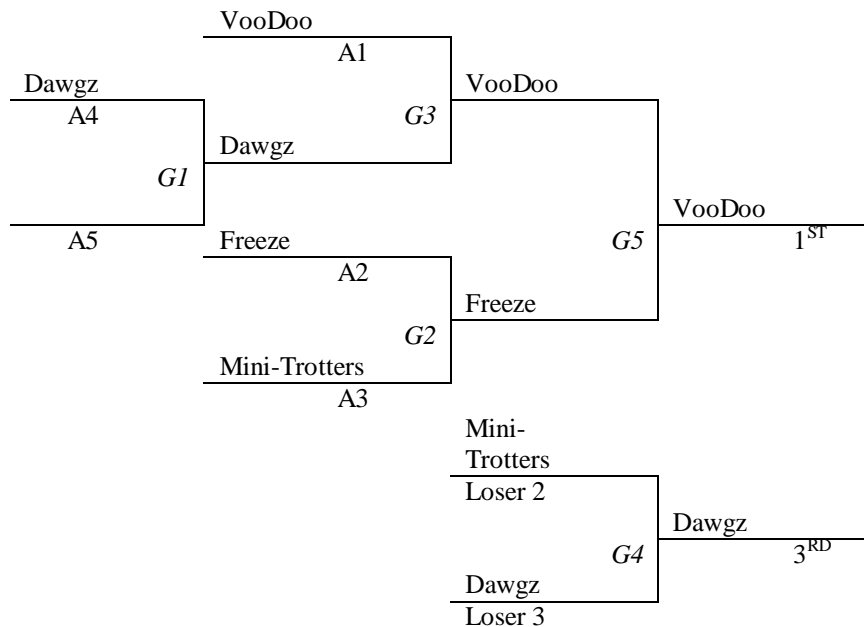
	East Indianola
5:00	1-2
5:55	3-4
6:50	No game
7:45	1-3
8:40	2-4

Saturday

8:00	
8:55	
9:50	4-5
10:45	2-3
11:40	1-5
12:35	
1:30	
2:25	
3:20	
4:15	2-5
5:10	1-4
6:05	3-5
7:00	
7:55	
8:50	

Sunday

	East Indianola
8:00	G1
8:55	G2
9:50	
10:45	
11:40	G3
12:35	
1:30	
2:25	
3:20	G4
4:15	G5
5:10	



8th Grade Girls

Pool A	W	L
1. Topeka Wildcats	2	4
2. Attack Hawks - MO	0	6
3. Cardinals	2	4
4. Farmraised Ballerz 3 rd Place	4	2
5. Holton Wildcats 1 st Place	6	0
6. KS Lady Nets 2 nd Place	5	1
7. KS Pink Ladies	1	5

MAYB Topeka Tournament June 13-15 2008

Friday

	East Indianola	Logan	Seaman North
5:00		1-3	
5:55		2-6	
6:50			
7:30			3-6 (this will be a 7:30 game time in this gym)
8:40		1-2	
9:35			

Saturday

8:00	4-5	
8:55	1-6	
9:50		
10:45		5-7
11:40		2-3
12:35	1-4	
1:30	2-5	
2:25	3-7	
3:20	4-6	
4:15		
5:10		
6:05		
7:00	6-7	
7:55	2-4	
8:50	1-5	

Sunday

8:00		
8:55		
9:50	1-7	
10:45	3-4	
11:40		
12:35	5-6	
1:30	4-7	
2:25	3-5	
3:20		
4:15		
5:10	2-7	

Gyms: East Indianola Elementary School & Logan Jr. High School & Seaman High School

9th & 10th Grade Girls

Pool A	W	L
1. KS Tornadoes	3	0
2. Centrailia 2	0	3
3. Topeka Hayden	2	1
4. Jefferson County	1	2

MAYB Topeka Tournament June 13-15 2008

Friday

	Seaman South
5:00	
5:50	
6:40	2-3
7:30	
8:20	
9:10	1-3
10:00	

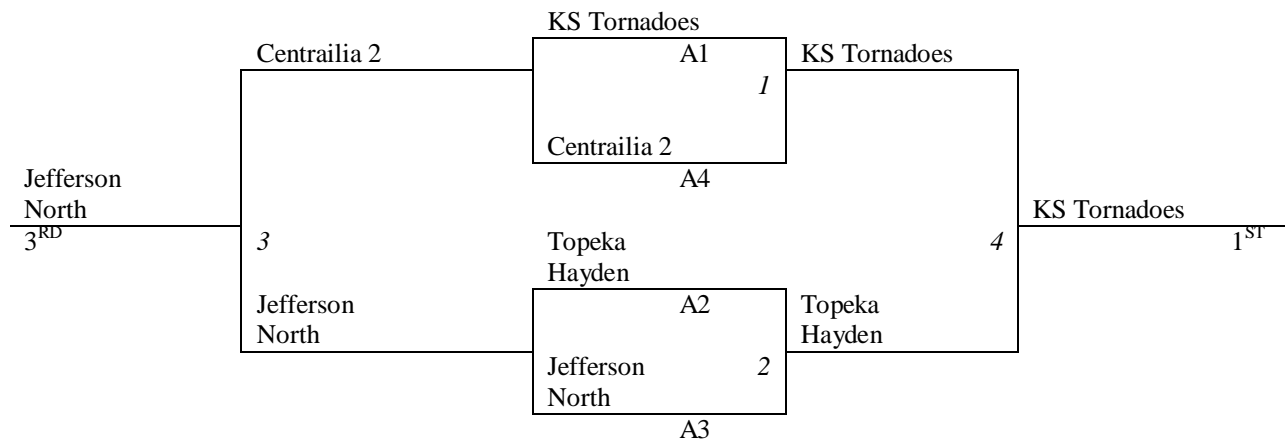
Saturday

8:00	2-4
8:55	
9:50	
10:45	
11:40	3-4
12:35	
1:30	
2:25	
3:20	1-2
4:15	
5:10	
6:05	
7:00	
7:55	
8:50	1-4
9:45	

Sunday

8:00	
8:55	
9:50	
10:45	
11:40	G1
12:35	G2
1:30	
2:25	
3:20	
4:15	G3
5:10	G4
6:05	

Gym: Seaman South @ Seaman High School



11th & 12th Grade Girls

Pool A	W	L	Pool B	W	L
1. Scrubs – KS	4	0	6. Topeka Lady Vikes	3	0
2. Unlimited Fitness	2	2	7. Topeka Magic	2	1
3. Centralia BBS	1	3	8. Freemont NE Tigers	0	3
4. The Press - MO	3	1	9. Jefferson North	1	2
5. Horton Chargers	0	4			

MAYB Topeka Tournament June 13-15 2008

Friday

	Seaman South
5:00	1-2
5:50	3-4
6:40	
7:30	7-8
8:20	4-5
9:10	
10:00	6-7

Saturday

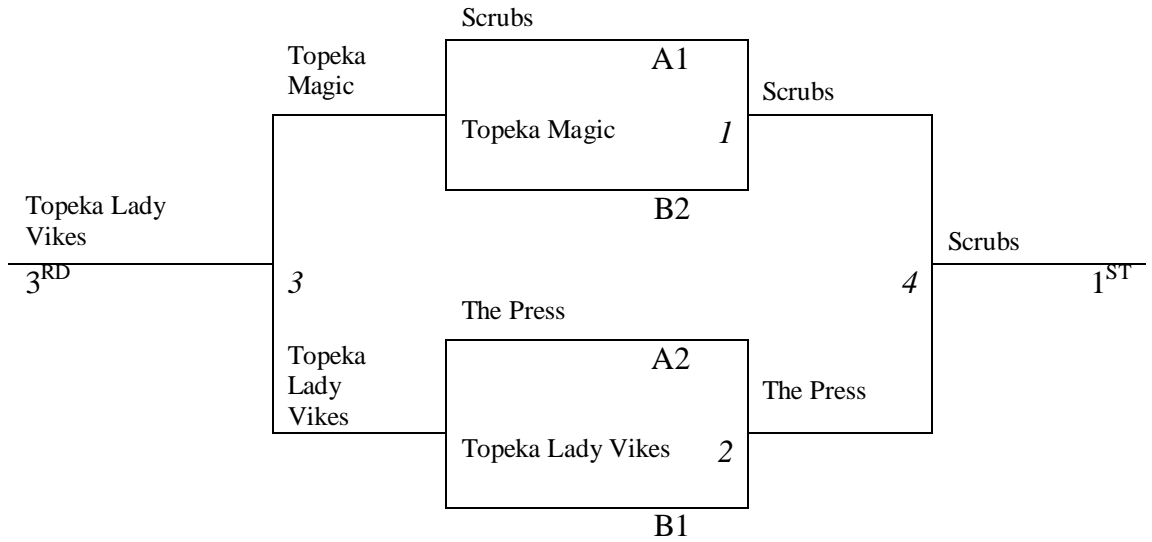
8:00	
8:55	8-9
9:50	1-3
10:45	2-4
11:40	
12:35	6-9
1:30	3-5
2:25	1-4
3:20	
4:15	2-5
5:10	7-9
6:05	6-8
7:00	1-5
7:55	2-3
8:50	
9:45	G5

Sunday

8:00	G7
8:55	G6
9:50	G1
10:45	G2
11:40	
12:35	
1:30	G8
2:25	G9
3:20	G3
4:15	
5:10	
6:05	G4

Gym: Seaman South @ Seaman High School

11th & 12th Grade Girls BRACKET A



CONSOLATION BRACKET

