

Hays, KS

July 28 –30, 2006

This will be the first of two MAYB Basketball tournaments offered in Hays this summer. We will be offering quality basketball for girls' and boys' for 4th through 12th grade age groups. We will be utilizing excellent gym facilities that are located in the Hays area, and sportsmanship & competition that is always top notch.

While in Hays there are many activities to enjoy. Aquatic Park, Sternberg Museum, and Historic Old Fort Hays just to mention a few. The Aquatic Park was recently constructed and includes a fantastic 3 pool complex featuring a floating river, waterslides, and much more. The Sternberg Museum and Children's Discovery Center provides education through entertainment for all ages.

Hays is located in western Kansas midway between Denver, Colorado and Kansas City, Missouri. Lodging in Hays is excellent, with over 14 facilities to choose from.

For restaurant and activity information visit the Hays, Kansas website at <http://www.haysusa.net>.

“A Community Without Limits”

Lodging

For lodging information click <http://www.mayb.com/cgi-bin/lodgingsummer.cgi>

Gyms:

Hays High School (2 gyms)

TMP

Felten Middle School

12th Street Gym

Hays Rec Commission (3 gyms)

13 & Canterbury Rd., Hays

1701 Hall, Hays

201 W. 29th, Hays

323 W. 12th, Hays

1105 Canterbury Rd., Hays

WELCOME TO THE TMP SIZZLIN SUMMER SHOOTOUT. ENCLOSED YOU WILL FIND YOUR GAME SCHEDULE. I DID THE BEST I COULD TO HONOR SPECIAL REQUESTS. WHEN SCHEDULING OVER 200 GAMES IT BECOMES IMPOSSIBLE TO SATISFY EVERYONE. COACHES PASSES (2) WILL BE AVAILABLE AT THE SITE OF YOUR FIRST GAME – **MUST PRESENT PASS UPON ENTERING EACH GAME.** SCHEDULES ARE FINAL UNLESS THERE ARE OMITTED GAMES, OR DUPLICATE GAMES. A LIST OF ALL THE PLAYING SITES CAN BE FOUND ON THE BOTTOM OF THE SHEET THE BEST WAY TO GET DIRECTIONS IS TO USE THE PHYSICAL ADDRESS AND USE WWW.MAPQUEST.COM.

THANKS AND ENJOY THE TOURNAMENT.

MARK HAMMERSCHMIDT
TMP MAYB CO-DIRECTOR
mjhammer@eaglecom.net

HAYS HIGH SCHOOL	2300 EAST 13 TH
HAYS RECREATION COMMISSION (WEST ENTRANCE)	1105 CANTERBURY
FELTEN MIDDLE SCHOOL	201 WEST 29 TH
TMP-MARIAN	1701 HALL STREET
13 TH STREET GYM (NORTH ENTRANCE)	210 W 13TH

**MAYB/TMP Sizzlin' Summer Shootout
July 28-30, 2006**

5th & 6th Grade Boys

All games will be played at (HRC 3)
Six Team Round Robin

	HRC 3		Win	Loss
Friday		Boys 5th & 6th		
5:00	1-2	1. Hays Wildcats		
6:00	3-4	2. And-One KS		
7:00		3. Valley Center Hornets		
8:00		4. Ks Elite 8		
9:00	1-3	5. Hays Tigers		
		6. Dodge City Renegades		
Saturday				
8:00	6-4			
9:00				
10:00				
11:00	5-2			
12:00	6-3			
1:00				
2:00				
3:00	5-1			
4:00	2-4			
5:00				
6:00	6-5			
7:00	1-4			
8:00				
9:00				
Sunday				
8:00	2-3			
9:00				
10:00	6-2			
11:00	4-5			
12:00				
1:00	1-6			
2:00	3-5			
3:00				
4:00				
5:00				
6:00				

**MAYB/TMP Sizzlin' Summer Shootout
July 28-30 2006**

7th & 8th Grade Boys

All games will be played at the Hays Recreation Building (HRC1) unless noted (**HHS**)

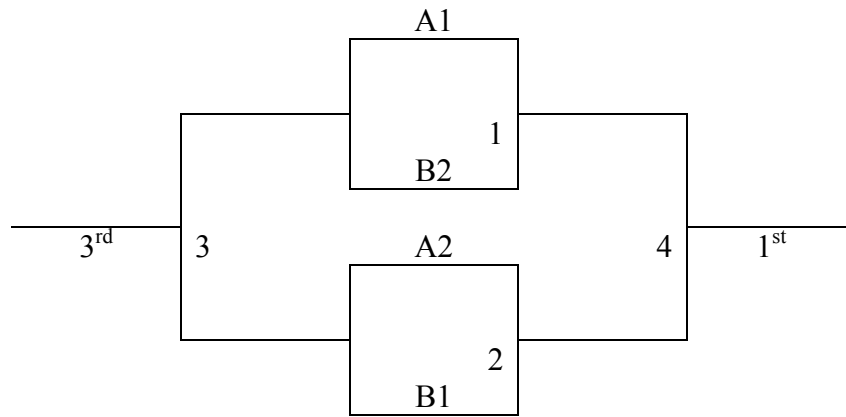
	HRC 1	HHS A HHS B		Win	Loss
Friday					
5:00	9-8				
6:00	3-4				
7:00	6-7				
8:00	10-9				
9:00	2-3				
Saturday					
8:00	5-4				
9:00	8-10				
10:00	9-6				
11:00	7-8				
12:00	3-1				
1:00	2-4				
2:00	1-5				
3:00	6-8				
4:00	7-9				
5:00	5-2	1-4 (GYM B)			
6:00	10-7				
7:00	3-5				
8:00	1-2				
9:00	10-6				
Sunday					
8:00	G-1	G-5 Gym A G-6 GymB			
9:00	G-2				
10:00	G-7				
11:00	G-8				
12:00	G-3				
1:00	G-4				
2:00	G-9				
3:00					
4:00					
5:00					
6:00					

- | | Win | Loss |
|------------------------------|------------|-------------|
| Pool A: | | |
| 1. Cornhusker Shooting Stars | | |
| 2. Hays Falcons | | |
| 3. Hays Trojans | | |
| 4. Kansas Kings | | |
| 5. Salina Alltel | | |
| Pool B: | | |
| 6. Claflin Wildcats | | |
| 7. Pratt | | |
| 8. Hays Hawks | | |
| 9. Bennington Bulldogs | | |
| 10. NW Kansas Blue Devils | | |

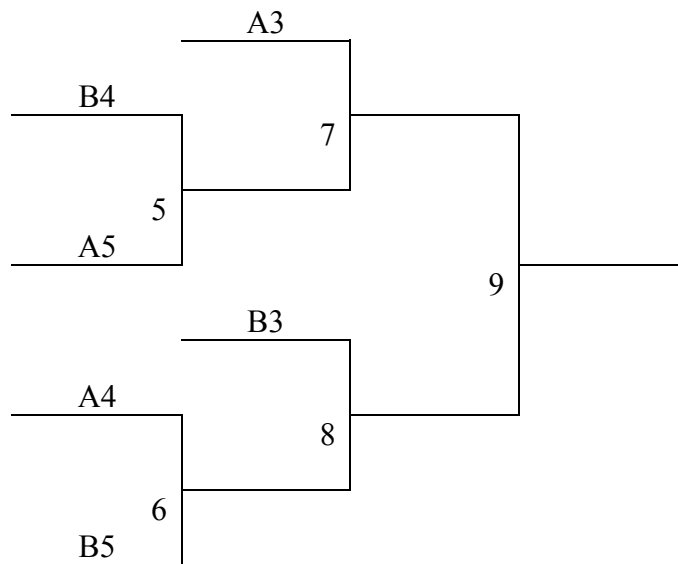
10 TEAMS

2 pools of 5. Top 2 in each pool to Bracket A. Others to Bracket B.

Bracket A



Bracket B



MAYB/TMP Sizzlin' Summer Shootout

July 28-30, 2006

9th & 10th Grade Boys

All games will be played at Thomas More Prep & 13th Street Gym

Tournament consists of 2 Divisions. 7 Team Round Robin

	TMP	13th Street Gym		W	L
Fri.					
5:00	1-2	8-9	<p style="text-align: center;"><u>Blue Division</u></p> <ol style="list-style-type: none"> 1. Hays Cavaliers 2. SW Ks Tarheels 3. Quivira Thunderbirds 4. Lane Co 5. Garden City 6. Larned Indians 7. Ks. Smashers II <p style="text-align: center;"><u>White Division</u></p> <ol style="list-style-type: none"> 8. Sw Ks Lighting 9. Hays Indians 10. Hutch 11. Smashers I - KS 12. Kearney NE. 13. Q Town 14. Ks Clippers 		
6:00	3-4	10-11			
7:00	5-6	12-13			
8:00	7-1	14-8			
9:00	2-4	9-10			
10:00					
Sat.					
8:00	3-6	7-4			
9:00	11-12	8-10			
10:00	13-14	5-2			
11:00	1-4	7-3			
12:00	14-9	11-13			
1:00	12-8	5-7			
2:00	2-3	6-1			
3:00	9-13	10-12			
4:00	11-8	4-6			
5:00	1-5				
6:00	14-12				
7:00					
8:00					
9:00					
10:00					
Sun.					
8:00	14-10	4-5			
9:00	1-3	6-7			
10:00	8-13	9-11			
11:00	2-6	3-5			
12:00	14-11	9-12			
1:00	13-10	2-7			
2:00					
3:00					
4:00					
5:00					
6:00					

MAYB/TMP Sizzlin' Summer Shootout
July 28-30, 2006
11th & 12th Grade Boys
All games will be played at Hays High School (HHSA and HHSB)

	HHS A	HHS B		W	L
Fri.					
5:00	1-2	9-11			
6:00	5-6	7-8			
7:00	10-12	4-2			
8:00	1-3	6-8			
9:00					
10:00					
Sat.					
8:00					
9:00	9-10	11-12			
10:00	2-3	5-7			
11:00	1-4	11-10			
12:00	9-12	6-7			
1:00	3-4	5-8			
2:00					
3:00	G-1	G-8			
4:00	G-2	G-9			
5:00					
6:00					
7:00					
8:00					
9:00					
10:00					
Sun.					
8:00					
9:00	G-4	G-11			
10:00	G-5	G-12			
11:00	G-3	G-10			
12:00	G-6	G-13			
1:00	G-7	G-14			
2:00					
3:00					
4:00					
5:00					
6:00					

Pool A

1. Hays Rebels
2. KS Leopards
3. Majestic
4. Abilene Shockers

Pool B

5. Hays Spurs
6. Wakeeney
7. WP Broncos
8. Canton-Galva

Pool C:

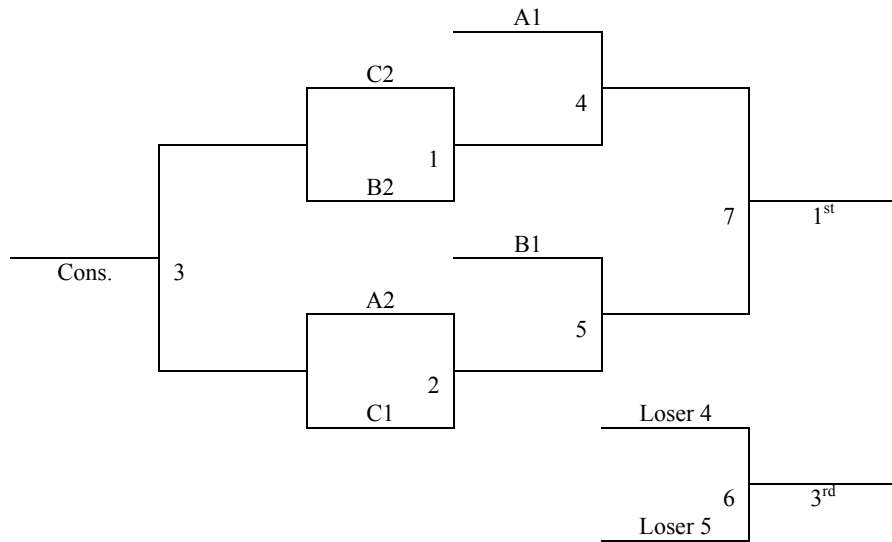
9. Hays Indians
10. Kearney
11. Claflin
12. Larned Indians

12 TEAMS

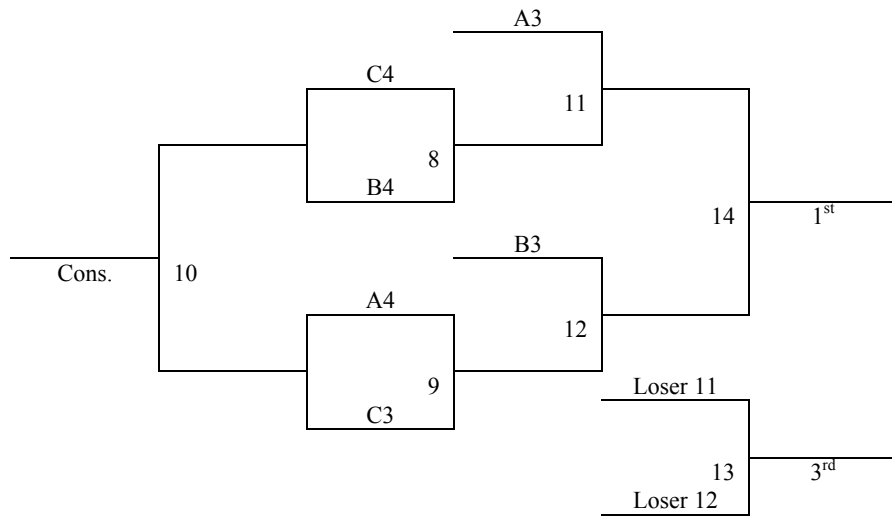
<u>A</u>	<u>B</u>	<u>C</u>
1	5	9
2	6	10
3	7	11
4	8	12

Top 2 teams in each pool to Bracket A. Others to Bracket B.

Bracket A



Bracket B



**MAYB/TMP Sizzlin' Summer Shootout
July 28-30, 2006**

6th & 7th Grade Girls

All games will be played at (HRC 3, HRC 2 except where noted)
Seven Team Round Robin

	HRC 3	HRC 2	HHS A-B		Win	Loss
Friday				Girls 6th & 7th 1. Smashers 3 2. Hays Heat 3. Lacrosse Heat 4. NW Ks Lady Ballers 5. Scott City 6. Kansas Legacies 7. Playaz		
5:00						
6:00						
7:00	2-7					
8:00	1-6					
9:00						
Saturday						
8:00						
9:00	4-5					
10:00	6-7					
11:00						
12:00						
1:00	2-3					
2:00	4-6					
3:00		7-1				
4:00		2-4				
5:00	6-5					
6:00			1-3 (GYM B)			
7:00			2-5 (GYM A) 7-4 (GYM B)			
8:00	1-5					
9:00		7-3	2-6 (GYM A)			
Sunday						
8:00						
9:00	3-6					
10:00						
11:00						
12:00	3-5					
1:00		1-4				
2:00		7-5				
3:00	1-2	3-4				
4:00						
5:00						
6:00						

MAYB/TMP Sizzlin' Summer Shootout
July 28-30, 2006
8th & 9th Grade Girls

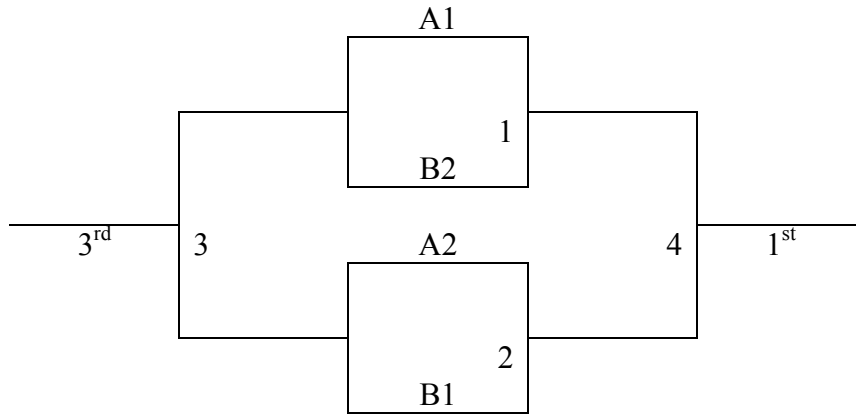
All games will be played at Hays Recreation Building 2
Pool Play Top two teams each Pool to bracket A. Rest to Bracket B

	HRC 2		W	L
Fri.				
5:00	1-2	Pool A: 1. Ellis Furry 2. Claffin 3. Hays Pacers 4. Nomolos Ks		
6:00	3-4			
7:00	5-6			
8:00	7-8			
9:00	1-3			
Sat.				
8:00	8-5	Pool B: 5. Lady Hoops 6. Wild West Girls 7. Stockton Tigers 8. Broken Bow NE		
9:00	2-4			
10:00	6-7			
11:00	2-3			
12:00	1-4			
1:00	6-8			
2:00	5-7			
3:00				
4:00				
5:00	G-1			
6:00	G-2			
7:00	G-5			
8:00	G-6			
9:00				
Sun.				
8:00				
9:00	G-7			
10:00	G-8			
11:00	G-3			
12:00	G-4			
1:00				
2:00				
3:00				
4:00				
5:00				
6:00				

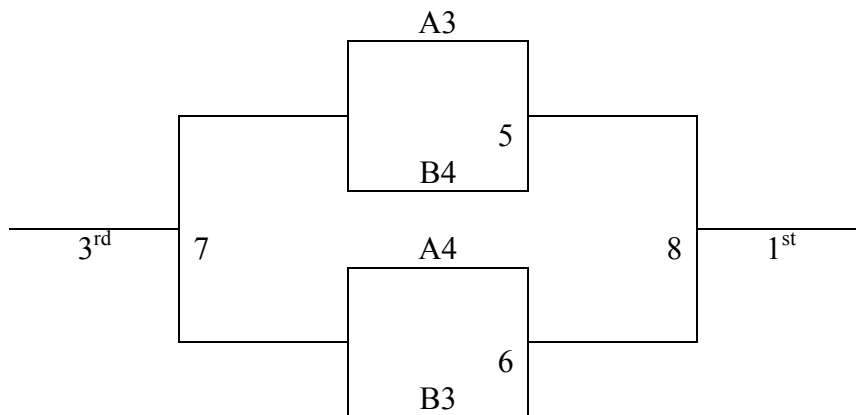
8 TEAMS

Round Robin pool play with top 2 teams in each pool going to bracket A and others to Bracket B.

Bracket A



Bracket B



MAYB/TMP Sizzlin' Summer Shootout
July 28-30, 2006
11th & 12th Grade Girls

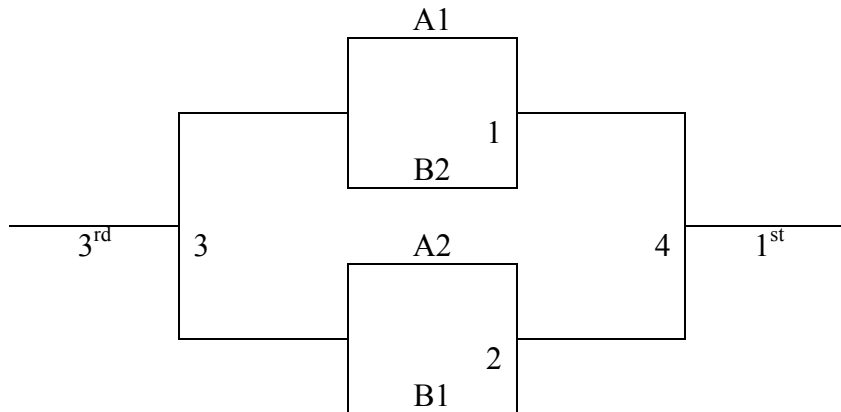
All games will be played at Felten Middle School (FMS) unless noted (HHS).

	FMS	HHS A & B		W	L
Friday			<p style="text-align: center;">Pool A:</p> <ol style="list-style-type: none"> 1. Wakeeney 2. NW Ks Lady Dawgs 3. SW KS Connection 4. Victoria Ice 5. Ellinwood <p style="text-align: center;">Pool B:</p> <ol style="list-style-type: none"> 6. Banton Co – All Stars 7. Hays Indians 8. NCK Hustlers 9. O & H Thunder 10. KS Sharp Shooters 11. NW KS Chaos 		
5:00	1-2				
6:00	3-4				
7:00	6-7				
8:00	8-9				
9:00	1-3	5-4 (Gym A) 11-7 (Gym B)			
Saturday					
8:00	10-6	2-5 (Gym A) 7-9 (Gym B)			
9:00	1-4				
10:00	6-9				
11:00	8-10				
12:00	11-9				
1:00	6-8				
2:00	2-3	1-5(Gym A)			
3:00	10-11				
4:00	7-8				
5:00	2-4	3-5 (Gym A)			
6:00	6-11	7-10 (Gym A)			
7:00					
8:00	8-11	10-9 (Gym A)			
Sunday					
8:00	G-5				
9:00	G-6				
10:00	G-1				
11:00	G-2				
12:00	G-7				
1:00	G-8				
2:00	G-4	G-3 (Gym A)			
3:00	G-9				
4:00					
5:00					

11 TEAMS

One pool of 5. One pool of 6. Play round robin. 25 total pool games. Top 2 teams in each pool to Bracket A, others to Bracket B except pool B 6th place. They have 5 games.

Bracket A



Bracket B

