



Event Address

Huston Huffman Center – OU Campus

1401 Asp Ave

Norman, OK

Parking for the Event

The area to park is the South and East lots next to the HHC. Entrance to the lots are off Jenkins, south of Lindsey (directly south of FB Stadium.) The second entrance on Jenkins south of Lindsey is directly in front of SE entrance of facility. All teams will need to enter through the SE doors of the facility!

(There will be a long ramp going down to the doors)

No Outside Food or Drink will be allowed in the Huffman Center

Tournament T-Shirts will be available at the Event!

Admission for spectators will be charged at the Gate.

Two coach's passes will be available for each team

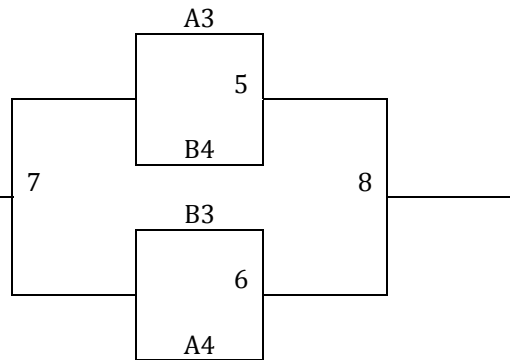
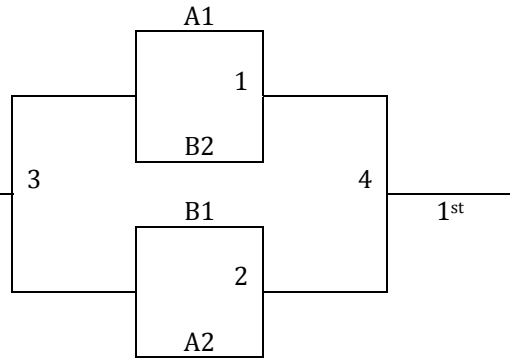
Norman, OK MAYB
July 30-August 1, 2010

7th Grade Boys

Pool A	W	L	Pool B		
1. Cyclones - OK			5. NW Oklahoma Thunder		
2. OKC Jets			6. OK Runners		
3. Edmond Suns			7. OKC Spartans		
4. Team Norman			8. Mid Kansas		

Top 2 Teams in Each Pool to Bracket A, Others to Bracket B
Tie Breaker - 2 way - head to head, 3 way - coin flip

Friday	Huff 3	Huff 4	Huff 5	<i>A Bracket</i>
5:00				
6:00			1-2	
7:00			3-4	
8:00			5-6	
9:00			1-4	
Saturday				<i>B Bracket</i>
8:00				
9:00				
10:00				
11:00		7-8		
12:00		2-3		
1:00		6-8		
2:00		1-3		
3:00		5-8		
4:00		6-7		
5:00		2-4		
6:00		5-7		
7:00				
8:00		G1	G5	
9:00		G2		
Sunday				
8:00		G6		
9:00		G3		
10:00		G7		
11:00		G8		
12:00	G4			
1:00				
2:00				
3:00				
4:00				
5:00				
6:00				



Norman, OK MAYB
 July 30-August 1, 2010

8th Grade Boys

Pool A	W	L
1. Oklahoma Nets		
2. OK Harrah		
3. Oklahoma Heat		
4. Norman Frosh		
5. OKC Jets		
6. Western Oklahoma Knights		

Round Robin Format
 Best Record Wins - Tie Breaker - 2 way - head to head
 3 way - +/- 15pts

Friday	Huff 3	Huff 4
5:00		
6:00		1-2
7:00		3-4
8:00		
9:00		
Saturday		
8:00		5-6
9:00		1-3
10:00		2-5
11:00	1-6	
12:00	3-5	
1:00	1-4	
2:00	2-6	
3:00		
4:00		
5:00		
6:00		
7:00		3-6
8:00	1-5	
9:00	2-4	
Sunday		
8:00	4-6	
9:00	2-3	
10:00	4-5	
11:00		
12:00		
1:00		
2:00		
3:00		
4:00		
5:00		
6:00		

Norman, OK MAYB
 July 30-August 1, 2010

11-12th Grade Boys

Pool A	W	L
1. Players Only - OK		
2. Oklahoma Assault		
3. San Antonio Elite - Team USA		
4. TNT		
5. Washington Warriors		
6. Lords of the Rim - MO		

Round Robin Format
 Best Record Wins - Tie Breaker - 2 way - head to head
 3 way - +/- 15pts

Friday	Huff 1
5:00	
6:00	1-2
7:00	3-4
8:00	5-6
9:00	1-3
Saturday	
8:00	
9:00	
10:00	
11:00	
12:00	
1:00	
2:00	2-5
3:00	4-6
4:00	1-5
5:00	2-4
6:00	3-6
7:00	4-5
8:00	2-3
9:00	1-6
Sunday	
8:00	3-5
9:00	1-4
10:00	2-6
11:00	
12:00	
1:00	
2:00	
3:00	
4:00	
5:00	
6:00	

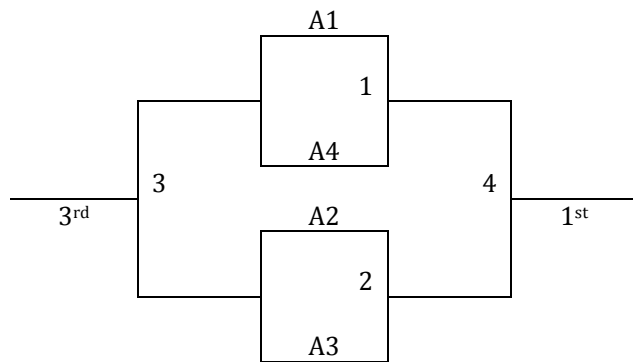
Norman, OK MAYB
July 30-August 1, 2010

4-5th Grade Girls

Pool A	W	L
1. Oklahoma Select		
2. Respect		
3. Elk City Elite		
4. OK Ultimates		

All teams to bracket
Tie Breaker - 2 way - head to head, 3 way - coin flip

Friday	Huff 5	Huff 6
5:00		
6:00		
7:00		
8:00		
9:00		
Saturday		
8:00		
9:00	1-2	
10:00	3-4	
11:00		
12:00		
1:00	1-3	
2:00	2-4	
3:00		
4:00		
5:00		
6:00		
7:00	1-4	2-3
8:00		
9:00	G1	G2
Sunday		
8:00		
9:00		
10:00		
11:00		
12:00	G4	G3
1:00		
2:00		
3:00		
4:00		
5:00		
6:00		



Norman, OK MAYB
July 30-August 1, 2010

7th Grade Girls

Pool A	W	L
1. OKC Shooting Stars		
2. Oklahoma Magic 2015		
3. OK Ultimates		
4. Oklahoma Select		
5. SCU 7 th Air Hoops		
6. Extreme Ballers - OK		

Round Robin Format
Best Record Wins - Tie Breaker - 2 way - head to head
3 way - +/- 15pts

Friday	Huff 5	Huff 6
5:00		
6:00		1-2
7:00		3-4
8:00		1-5
9:00		2-3
Saturday		
8:00	1-6	
9:00		
10:00		
11:00	2-4	
12:00	5-6	
1:00		
2:00		
3:00	3-5	
4:00	4-6	
5:00	2-5	
6:00	3-6	
7:00		
8:00		
9:00		
Sunday		
8:00	1-4	
9:00	2-6	
10:00	4-5	
11:00	1-3	
12:00		
1:00		
2:00		
3:00		
4:00		
5:00		
6:00		

Norman, OK MAYB
 July 30-August 1, 2010

High School Girls

Pool A	W	L
1. K2A Sonics		
2. Nothing But Net		
3. Texas Lady Thunder		
4. Lady Tarheels - Bradley		
5. The Wewoka Elite		
6. Oklahoma Spirit		

Round Robin Format
 Best Record Wins - Tie Breaker - 2 way - head to head
 3 way - +/- 15pts

Friday	Huff 2	Huff 4
5:00		
6:00		
7:00		
8:00		1-2
9:00		3-4
Saturday		
8:00	5-6	
9:00	1-3	
10:00	2-5	
11:00	4-6	
12:00	3-5	
1:00	1-4	
2:00	2-6	
3:00	1-5	
4:00	2-4	
5:00	3-6	
6:00		
7:00		
8:00		
9:00		
Sunday		
8:00	1-6	
9:00	2-3	
10:00	4-5	
11:00		
12:00		
1:00		
2:00		
3:00		
4:00		
5:00		
6:00		