

**Salina MAYB**

**July 31-Aug. 1**

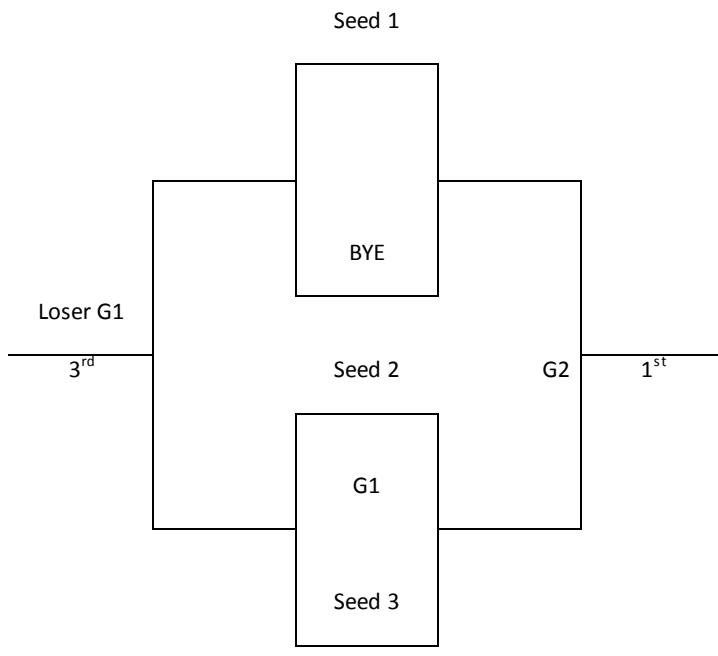
**Division: 4<sup>th</sup>/5<sup>th</sup> Boys**

**REVISED 7/28**

- **Games played at KSU-Salina Rec. Center & Salina South H.S.**
- **There are 3 teams in this tournament. This is now a 1 day 3 game guarantee tournament.**

	<b>W</b>	<b>L</b>
<b>1. Abilene Cowboys</b>		
<b>2. Topeka Heat</b>		
<b>3. Emporia Jr. Spartans</b>		

	<b>KSU1</b>	<b>KSU2</b>	<b>SHS1</b>
<b>Sat.</b>			
<b>9:00-</b>	<b>1-2</b>		
<b>11:00-</b>	<b>1-3</b>		
<b>3:00-</b>	<b>2-3</b>		
<b>6:00-</b>		<b>G1</b>	
<b>8:00-</b>			<b>G2</b>



## 4<sup>th</sup>/5<sup>th</sup> Boys Bracket

# Salina MAYB

July 31-Aug. 1

Division: 7<sup>th</sup>-8<sup>th</sup> Girls **REVISED 7/28**

- Games will be played at various gyms. Please check gym key!
- There are 8 teams in this division. 2 pools of 4, followed by bracket play!

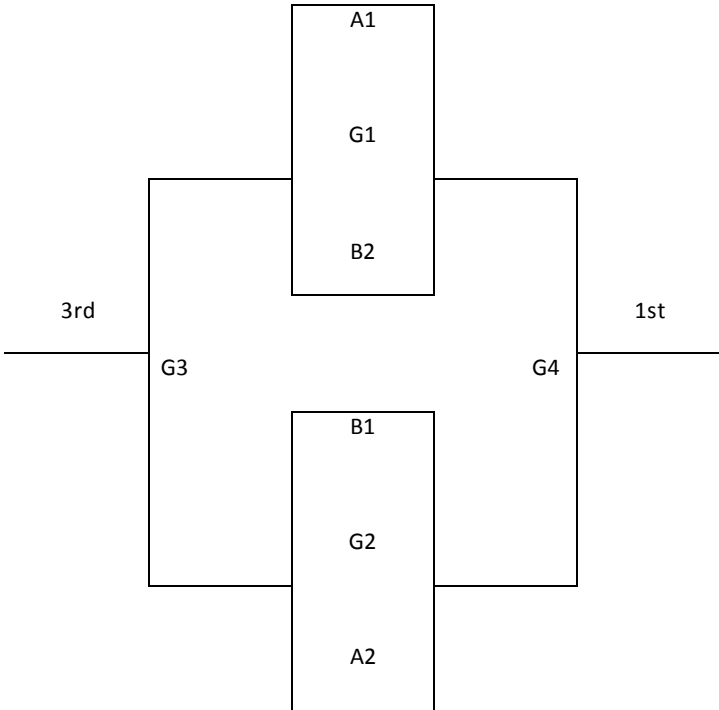
Pool A	W	L
1. South Lady Cougars		
2. The Crush-Manhattan		
3. KS Dream Team 7		
4. Warriors - KS		

Pool B	W	L
5. VH Ballers		
6. KS Dream Team 8		
7. NV Shooters		
8. Louisburg		

	SHS1	SHS2	KSU1	KSU2	CHS2
Sat.					
8:00-	1-2				
9:00-	3-4				
10:00-	5-6				
11:00-	7-8				
12:00-	1-3				
1:00-	2-4				
3:00-				5-7	
4:00-	6-8				
5:00-	1-4				
6:00-	2-3				
7:00-	5-8				6-7
Sun.					
8:00-			G5	G6	
11:00-					G7
1:00-					G8
3:00-			G1	G2	
5:00-			G4	G3	

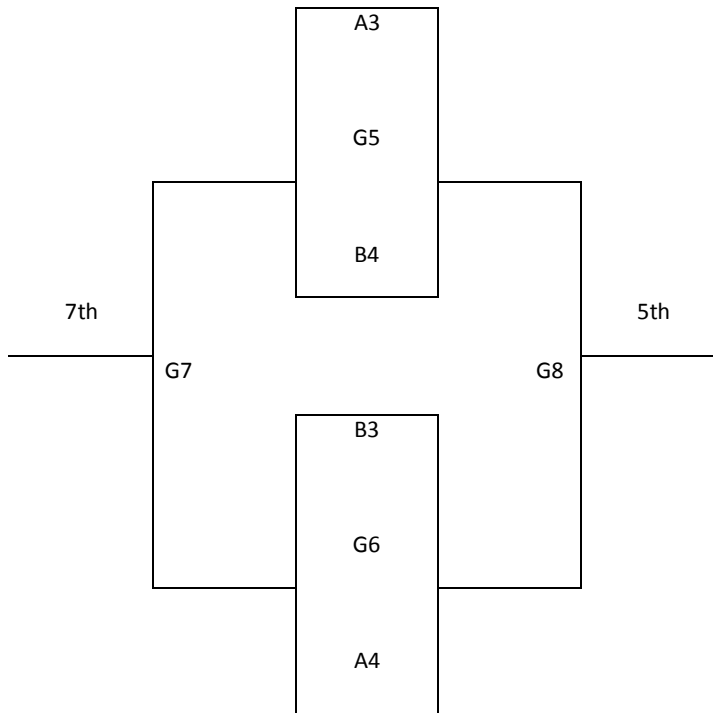
# Bracket A

Top 2 from each pool!



# Bracket B

Bottom 2 teams in each pool!



# Salina MAYB

July 31-Aug. 1

Division: 7<sup>th</sup>-8<sup>th</sup> Boys **REVISED 7/28**

- Games will be played at KSU-Salina Rec. Center.
- There are 8 teams in this division. 2 pools of 4, followed by bracket play!

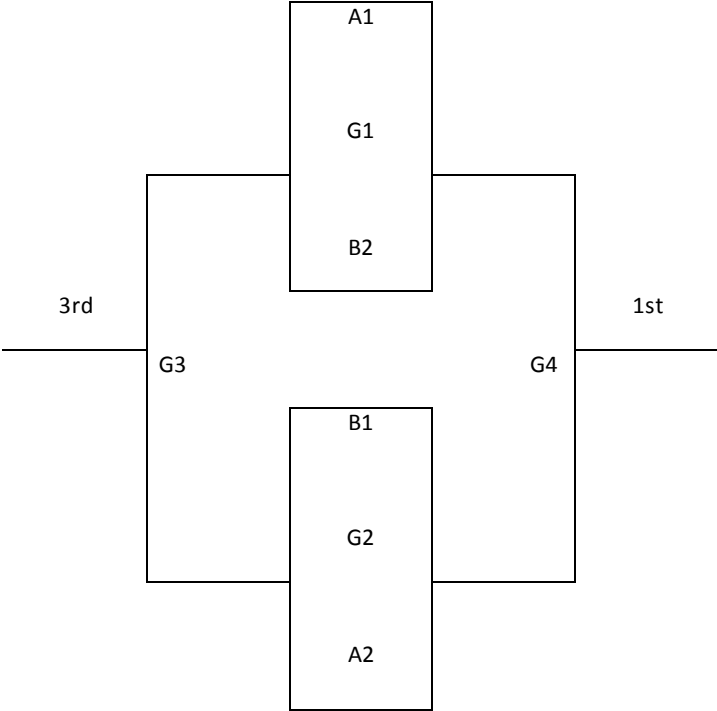
Pool A	W	L
1. Team Herington		
2. Hanover Wildcats		
3. Wamego Raiders		
4. T-Horns - KS		

Pool B	W	L
5. MCL Stars		
6. Super Shooters		
7. Clay Center Outlaws		
8. Holton Cats		

	KSU1	KSU2
Sat.		
9:00-		1-2
10:00-	5-6	3-4
11:00-		7-8
12:00-	1-3	2-4
1:00-	5-7	6-8
2:00-	1-4	2-3
4:00-	5-8	6-7
Sun.		
9:00-	G1	G2
11:00-	G5	G6
12:00-	G4	G3
2:00-	G8	G7

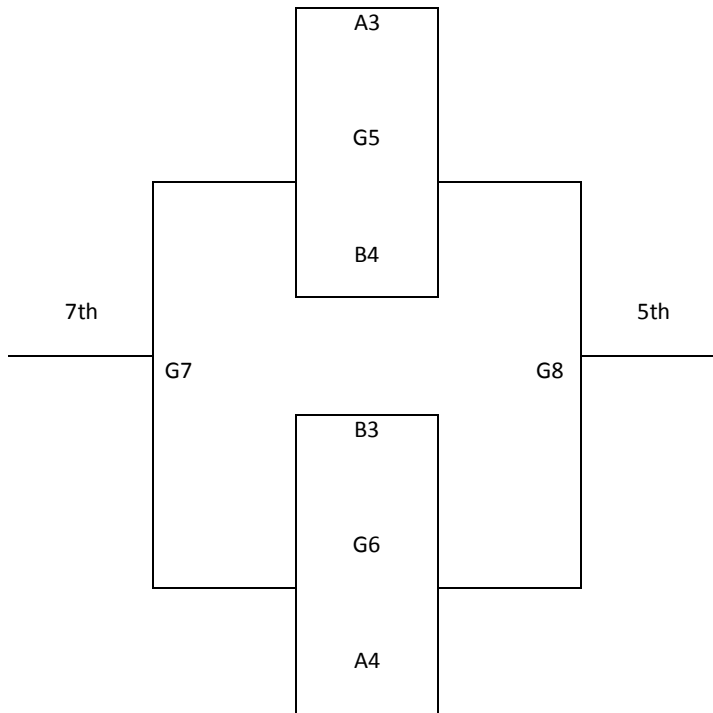
# Bracket A

Top 2 from each pool!



# Bracket B

Bottom 2 teams in each pool!



**Salina MAYB**

**July 31- Aug. 1**

**Division: 9<sup>th</sup>/10<sup>th</sup> Girls**

- **There are 6 teams in this division. We will play a round robin tournament.**
- **Games will be played at KSU-Salina Rec. Center and Salina Central H.S.**

	<b>W</b>	<b>L</b>
<b>1. KS Dream Team</b>		
<b>2. Junction City Lady Jays</b>		
<b>3. AKA Elite - KS</b>		
<b>4. Ellinwood Kdunks</b>		
<b>5. Stockton Tigers</b>		
<b>6. Lyndon Lady Tigers II</b>		

	<b>KSU1</b>	<b>KSU2</b>	<b>CHS2</b>
<b>Sat.</b>			
<b>12:00-</b>			<b>1-4</b>
<b>1:00-</b>			<b>2-6</b>
<b>3:00-</b>			<b>3-5</b>
<b>5:00-</b>	<b>1-2</b>	<b>3-4</b>	
<b>6:00-</b>	<b>5-6</b>		
<b>7:00-</b>	<b>1-3</b>		
<b>8:00-</b>	<b>2-5</b>		<b>4-6</b>
<b>Sun.</b>			
<b>2:00-</b>			<b>1-5</b>
<b>3:00-</b>			<b>2-4</b>
<b>4:00-</b>			<b>3-6</b>
<b>5:00-</b>			<b>4-5</b>
<b>6:00-</b>		<b>1-6</b>	<b>2-3</b>

**Salina MAYB**

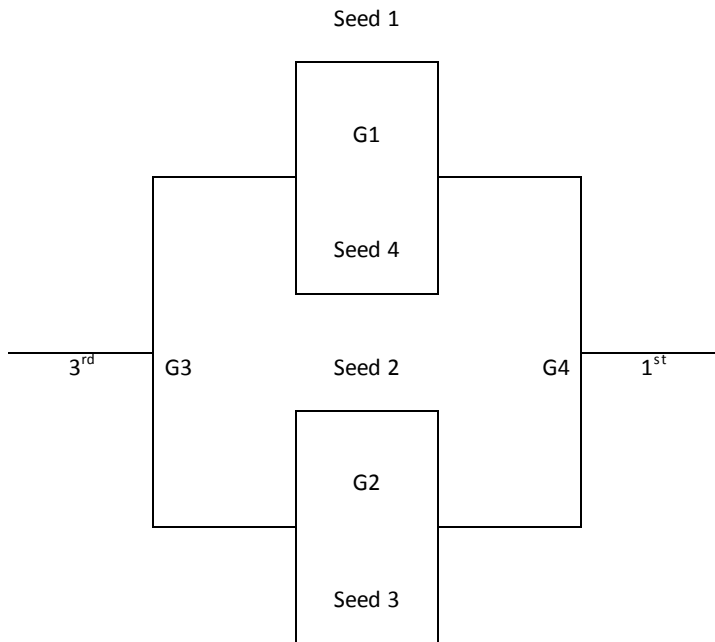
**July 31-Aug. 1**

**Division: 9<sup>th</sup>/10<sup>th</sup> Boys**

- **All games played at Salina Central H.S.**
- **There are 4 teams in this tournament. All teams advance to bracket play.**

	<b>W</b>	<b>L</b>
<b>1. Clay Center Tigers</b>		
<b>2. Mid KS Renegades</b>		
<b>3. Salina Flight</b>		
<b>4. Republic County</b>		

	<b>CHS1</b>	<b>CHS2</b>
<b>Sat.</b>		
<b>8:00-</b>	<b>1-2</b>	<b>3-4</b>
<b>10:00-</b>	<b>1-3</b>	<b>2-4</b>
<b>2:00-</b>	<b>2-3</b>	<b>1-4</b>
<b>Sun.</b>		
<b>10:00-</b>	<b>G1</b>	<b>G2</b>
<b>12:00-</b>	<b>G4</b>	<b>G3</b>



**9<sup>th</sup>/10<sup>th</sup>**  
**Boys Bracket**

# Salina MAYB

## July 31-Aug. 1

**Division: 11<sup>th</sup>/12<sup>th</sup> Girls**

**REVISED 7/28**

- These games will be played at various locations. Please check gym key!
- There are 6 teams in this division. We will play a round robin tournament!

	W	L
1. Junction City Lady Jays		
2. Kansas Rim Rattlers		
3. KS Dream Team 11/12		
4. KS Dream Team 9/10		
5. All Around Hoops - KS		
6. Jaguars - KS		

	CHS1	CHS2	SHS1	SHS2	KSU1	KSU2
<b>Sat.</b>						
<b>11:00-</b>						
<b>12:00-</b>						
<b>1:00-</b>						
<b>2:00-</b>			5-6			
<b>3:00-</b>			3-4			
<b>5:00-</b>		1-2				
<b>6:00-</b>		4-5				
<b>7:00-</b>	2-6					
<b>8:00-</b>	1-4					3-5
<b>Sun.</b>						
<b>8:00-</b>		1-6				
<b>9:00-</b>						
<b>10:00-</b>					2-4	3-6
<b>11:00-</b>						
<b>12:00-</b>						
<b>1:00-</b>					1-5	2-3
<b>2:00-</b>						
<b>3:00-</b>						
<b>4:00-</b>					4-6	2-5
<b>6:00-</b>					1-3	

# Salina MAYB

## July 31-Aug. 1

Division: 11<sup>th</sup>/12<sup>th</sup> Boys

**REVISED 7/28**

- These games will be played at Salina Central H.S.
- There are 7 teams in this division. We will play a round robin tournament!

	W	L
1. Abilene B		
2. Junction City		
3. KS Twisters		
4. Wamego Raiders		
5. Washington County		
6. Hanover - KS		
7. Holton		

	CHS1	CHS2
Sat.		
9:00-	1-2	3-4
11:00-	5-6	1-7
12:00-	2-3	
1:00-	5-7	
3:00-	1-4	
4:00-	3-5	2-6
5:00-	4-7	
6:00-	1-6	
Sun.		
8:00-	4-5	
9:00-	1-3	6-7
11:00-	2-4	
1:00-	2-5	
2:00-	3-7	
3:00-	1-5	
4:00-	3-6	
5:00-	2-7	
6:00-	4-6	