

SCROLL DOWN FOR LOCATIONS AND DIRECTIONS

**COACHES AND PARENTS WE DO NOT PROVIDE A TRAINER OR A FIRST AID KIT. PLEASE BRING YOUR OWN FIRST AID KIT AND ICE!! WE WILL TRY TO PROVIDE ICE IF POSSIBLE!!**

**Schedule is Below**

## TEXAS STATE CHAMPIONSHIPS DIRECTIONS!!!!

**The Texas State Championships will require all teams to play on Friday, with NO EXCEPTIONS!!**

**UPDATED DIRECTIONS!!!**

**Lutheran High School - 18104 Babcock Rd. SATX, 78255 – 210-694-4962**

Lutheran High School is located on Babcock and Huebner. If you are traveling west on I10, take the Huebner exit. Turn left on Huebner, to Babcock; make right at Babcock (HEB on corner). Go straight on Babcock until you get to the school.

**Our Lady of The Lake College – 411 SW 24<sup>th</sup> St, SATX 78207 – 210-434-67141**

Go south on I-35 until you get to exit 155C. Take ramp right for N. Laredo St. towards Commerce St. Turn right on West Commerce, then turn left onto SW 24<sup>th</sup> St.

**Blessed Sacrament School – Please look up on Map Quest 1135 Mission Rd. SATX 78210 – 210-532-4731**

**SAINT MARY'S UNIVERSITY** – 1Camino Santa Maria St. SAT, 78228 (210) 436-3011

Traveling South on I-35, merge onto 410 West for about 12 miles, exit Culebra. Turn left on Culebra for about 7 miles. The University is on the left, enter through the Memorial street entrance. The Gym will be straight ahead.

If traveling I-10 East, merge onto 410 West and follow the same directions as above. If traveling I-10 West, exit Culebra and turn left for about 3 miles. Enter through the Memorial street entrance.

**THE ST. GEORGE MARONITE CATHOLIC CHURCH:**

St. George Maronite Catholic Church is located on Babcock and Huebner. If you are traveling west on I10, take the Huebner exit. Turn left on Huebner, to Babcock; make right at Babcock (HEB on corner). The Church is located on the left, about 5 blocks. The gym is the big building on the left.

**DIRECTIONS COLE HS, FT SAM HOUSTON, TX:** 2030 Winans Road, Fort Sam Houston, TX 78234

TRAVELING I35 SOUTH INTO SAN ANTONIO, EXIT WALTERS STREET. IT IS THE EXIT AFTER THE SBC EXIT. TURN RIGHT ONTO WALTERS STREET, YOU WILL BE HEADING WEST ONTO THE ARMY BASE. THE SECURITY OFFICERS WILL GIVE YOU DIRECTIONS TO COLE HS.

TRAVELING I35 NORTH INTO SAN ANTONIO, EXIT WALTERS STREET. IT IS THE EXIT AFTER NEW BRAUNFELS AVE. TURN LEFT ONTO WALTERS STREET YOU WILL BE HEADING WEST ONTO THE ARMY BASE. THE SECURITY OFFICERS WILL GIVE YOU DIRECTIONS TO COLE HS.

TRAVELING WEST ON 410, FROM I35, EXIT HARRY WURZBAUCH. TRAVEL ABOUT 3 MILES TO WINANS ROAD. MAKE A LEFT INTO THE BASE TO THE END OF THE ROAD. THE HIGH SCHOOL AT THE END OF THE ROAD.

**DIRECTIONS TO ANTIOCH ATHLETIC COMPLEX , 1001 N. Walters St. SATX, 78202**

Traveling I35 **south** into San Antonio exit Walters street. It is the exit after the AT&T center exit. Turn left onto Walters street. You will be heading east. Travel one half mile and you will see Antioch church on the right. The athletic complex is across the street on the same side.

Traveling I35 **north** into San Antonio exit Walters street. It is the exit after New Braunfels Ave. Turn right onto Walters street. You will be heading east. Travel one half mile and you will see Antioch church on the right. The athletic complex is across the street on the same side.

**Directions to Factory of Champions**

Coming from the north (Austin) go down I35 and get off on 410 west to Broadway street. Take a left on Broadway heading east and go 3 blocks. The Factory of Champions gym is on the right side of the road right after the Diamond Shamrock gas station.

Coming from the south go down I35 and get off on 410 east to Broadway street. Take a right on Broadway heading east and go 3 blocks. The Factory of Champions gym is on the right side of the road right after the Diamond Shamrock gas station.

**DIRECTIONS TO HOLY CROSS HIGH TRAVELING ON CULEBRA ST EITHER DIRECTION:**

426 N San Felipe St  
San Antonio, TX 78228

**WAGNER HS TRAVELING ON I10 EITHER DIRECTION:**

3000 N Foster Rd  
San Antonio, TX 78244  
(210) 662-5000

**DIRECTIONS TO THE BOYS AND GIRLS CLUB - 3503 Martin Luther King Dr. SATX, 78220 -**

TRAVELING EAST ON I10, EXIT MARTIN LURTHER KING DR. CONTINUE ON MLK DR, FOR 2 MILES; THE GYM WILL BE ON THE LEFT.  
3503 Martin Luther King Dr  
San Antonio, TX 78220  
(210) 227-2642

**COACHES AND PARENTS WE DO NOT PROVIDE A  
TRAINER OR A FIRST AID KIT. PLEASE BRING YOUR  
OWN FIRST AID KIT AND ICE!! WE WILL TRY TO  
PROVIDE ICE IF POSSIBLE!!**

**6<sup>th</sup>-7<sup>th</sup> Grade Girls**  
 Games played at Blessed Sacrament and St. Mary's University

**Pool A**

1. Corpus Christi Magic
2. SA Lady Hoops\*
3. Austin Wildcats-Purple
4. Team Strive-2016

**W L**

**Pool B**

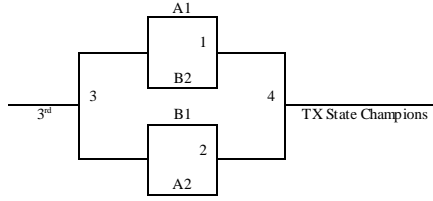
5. SA Hoopers
6. Dynasty-7<sup>th</sup>
7. Georgetown Sharpshooters
8. Xtreme Ballers

**W L**

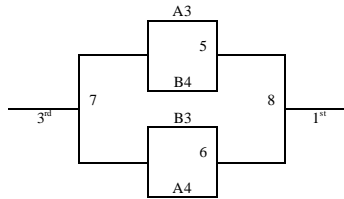
<b>Friday</b>	<b>BlessSac</b>	<b>STM3</b>	<b>STM4</b>
6:30	5-6	--	--
7:30	7-8	--	--
8:30	2-4	--	--
9:30	5-7	--	--
<b>Sat</b>			
8:00	1-4	--	--
9:00	2-3	--	--
10:00	6-8	--	--
11:00	1-3	--	--
12:00	--	--	--
1:00	--	--	--
2:00	--	--	--
3:00	--	1-2	--
4:00	--	3-4	5-8
5:00	--	--	6-7
6:00	--	--	--
7:00	--	--	--
8:00	G5	--	--
9:00	G6	--	--
10:00	--	--	--
<b>Sun.</b>			
8:00	--	--	G1
9:00	--	--	G2
10:00	--	--	G7
11:00	--	--	G8
12:00	--	--	G3
1:00	--	--	G4
2:00	--	--	--
3:00	--	--	--

**\*Revision**

**Bracket A**



**Bracket B**



**7<sup>th</sup> Grade Boys  
Gold**

**Games played at Lady of the Lake College**

**Pool A**

1. Austin Wildcats-Silver
2. South Side Houston Swoosh
3. SA Wolf Pack
4. NE El Paso Hurricanes

**W L Pool B**

5. OKC Spartans
6. SA Jayhawks
7. TX Ambassadors-Carten
8. Austin Wildcats-Navy

**W L**

**Friday**

6:30 --  
7:30 --  
8:30 --  
9:30 --

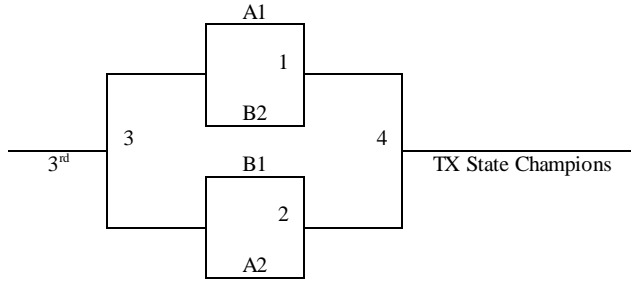
**Sat**

8:00 2-3  
9:00 5-8  
10:00 2-4  
11:00 7-8  
12:00 1-3  
1:00 5-6  
2:00 1-4  
3:00 6-7  
4:00 1-2  
5:00 3-4  
6:00 5-7  
7:00 6-8  
8:00 --  
9:00 --  
10:00 --

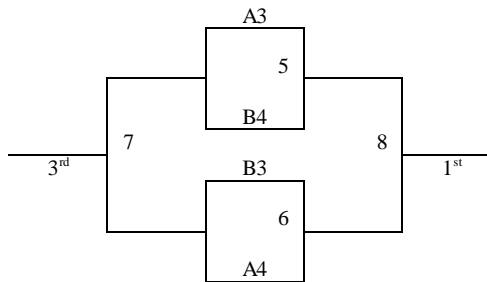
**Sun.**

8:00 G5  
9:00 G6  
10:00 G1  
11:00 G2  
12:00 G7  
1:00 G8  
2:00 G3  
3:00 G4

**Bracket A**



**Bracket B**



## 7<sup>th</sup> Grade Boys Silver

**Pool A**

1. SA Storm
2. TX Express-Ellis
3. Seguin Hoops
4. TX D1 Ambassadors-Cruz
5. Canutello Orange

**W   L**

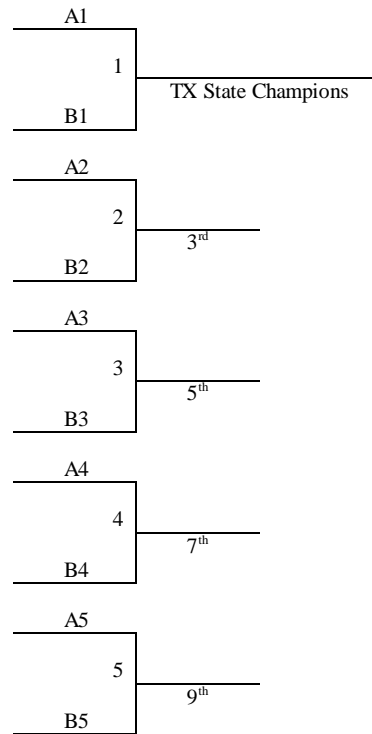
**Pool B**

6. Team Strive-2015
7. Liberty Hill Wildcats
8. NB Shock
9. South Texas Saints
10. Texas Elite

**W   L**

<b><u>Friday</u></b>	<b><u>B&amp;G</u></b>	<b><u>LOL</u></b>	<b><u>FOC2</u></b>
6:30	1-2	--	--
7:30	4-5	--	--
8:30	2-3	--	--
9:30	1-5	--	--
<b><u>Sat</u></b>			
8:00	7-8	--	--
9:00	3-4	--	--
10:00	6-9	--	--
11:00	8-10	--	--
12:00	1-4	--	--
1:00	6-10	--	--
2:00	7-9	--	--
3:00	2-4	--	--
4:00	3-5	--	--
5:00	6-8	--	--
6:00	9-10	--	--
7:00	6-7	--	--
8:00	8-9	1-3	--
9:00	7-10	2-5	--
10:00	--	--	--
<b><u>Sun.</u></b>			
8:00	--	--	G5
9:00	--	--	G4
10:00	--	--	G3
11:00	--	--	G2
12:00	--	--	G1
1:00	--	--	--
2:00	--	--	--
3:00	--	--	--
4:00	--	--	--

**Bracket Play**



Games played at Lady of the Lake College, the Boys & Girls club (3503 Martin Luther King Dr. and the Factory of Champions.

**7<sup>th</sup>-8<sup>th</sup> Grade Girls**

**Pool A**

1. West TX Rush-8
2. Boerne Lady Raptors
3. Seguin X Press
4. Hays Lady Rebels

**W   L**

**Pool B**

5. Austin Wildcats-Purple
6. SA Lady Wolf Pack
7. Central TX Rush
8. Copperas Cove

**W   L**

**Pool C**

9. Haringen Shooting Stars
10. Push The Rock
11. Dream Team BB Club-2015
12. TCSBA

**W   L**

**Friday   BlessSac   STM1   STM3   STM2   STM5**

6:30	--	6-7	--	--	--
7:30	--	5-8	--	--	--
8:30	--	9-10	--	--	--
9:30	--	11-12	5-7	--	--

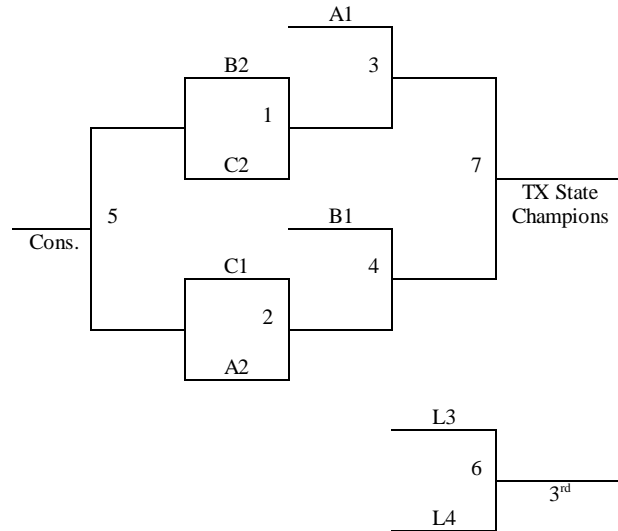
**Sat**

8:00	--	1-2	3-4	--	--
9:00	--	6-8	--	--	--
10:00	--	9-11	10-12	--	--
11:00	--	1-3	--	--	--
12:00	--	2-4	--	--	--
1:00	9-12	5-6	--	--	--
2:00	10-11	7-8	--	--	--
3:00	2-3	1-4	--	--	--
4:00	--	--	--	--	--
5:00	--	--	--	--	--
6:00	G8	G1	--	--	--
7:00	G9	G2	--	--	--
8:00	--	--	--	--	--
9:00	--	--	G4	--	G11
10:00	--	G3	--	--	G10

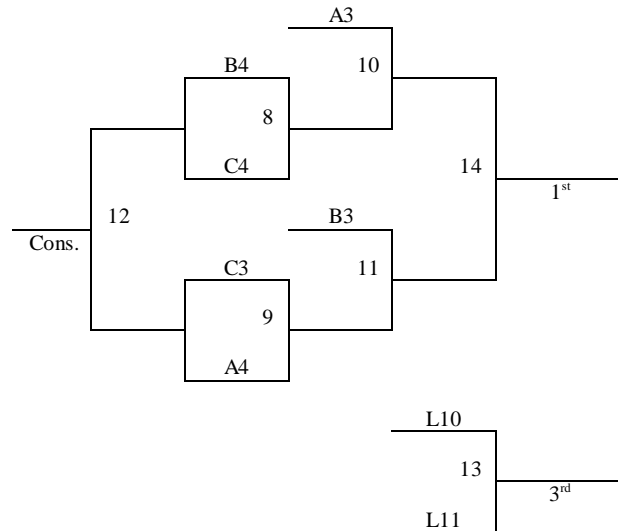
**Sun.**

8:00	--	--	--	G12	G5
9:00	--	--	--	--	--
10:00	--	--	--	--	--
11:00	--	--	--	--	--
12:00	--	G13	--	--	G13
1:00	--	--	--	--	--
2:00	--	--	--	G6	--
3:00	--	G14	--	G7	--
4:00	--	--	--	--	--

**Bracket A**



**Bracket B**



Games played at St. Mary's University and Blessed Sacrament