

## 5-6 BOYS

Records in pool play will determine seeding in tournament. In case of tie in pool play, formula used by MAYB will be used to break tie. Games played at Central Assembly of God Church, 1202 West Oxford, Enid, OK 73703.

- 1) Laverne Tigers
- 2) CD Wildcats
- 3) Enid Hawks

	<u>Saturday</u>
8 a.m.	2-3
9	
10	1-2
11	
12 p.m.	
1	1-3
2	
3:30	
4:30	
5:30	G1
6:30	
7:30	
8:30	G2

### BRACKET



## 6/7/8 GIRLS

Round Robin tournament. In case of tie for 1<sup>st</sup>, 2<sup>nd</sup> or 3<sup>rd</sup>, formula used by MAYB to break ties will be used. Games played at Central Assembly of God Church, 1202 West Oxford Avenue, Enid, OK 73703.

- 1) Oklahoma Swarm Elite 2016
- 2) High Plains Storm
- 3) T-Storm
- 4) Fairview Lady Jackets
- 5) South Barber
- 6) OBA Lady Trojans

<u>SATURDAY</u>		<u>SUNDAY</u>	
8 a.m.		8 a.m.	3-5
9	4-6	9	2-6
10		10	1-4
11	2-3	11	3-6
12 p.m.	1-5	12 p.m.	4-5
1		1	1-2
2	2-4		
3:30	1-3		
4:30	5-6		
5:30			
6:30	2-5		
7:30	3-4		
8:30			
9:30	1-6		

## 8 BOYS

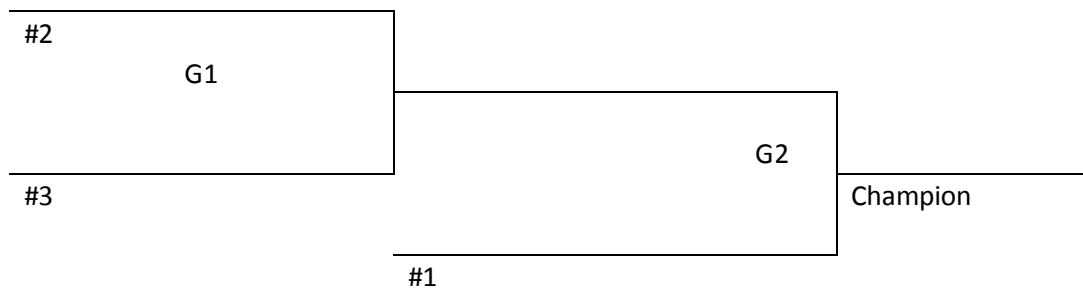
Records in pool play will determine seeding in tournament. In case of tie in pool play, formula used by MAYB will be used to break tie.  
Games played at Drummond High School, Hiway 132 South and Kansas Avenue, Drummond, OK 73735.

- 1) Woodward Boomers
- 2) Khaos
- 3) South Barber

### Saturday

8 a.m.  
9  
10 1-2  
11  
12 p.m.  
1 1-3  
2  
3:30 2-3  
4:30  
5:30  
6:30 G1  
7:30  
8:30 G2

### BRACKET



9-10 GIRLS-REVISED 7/21

Round robin tournament. In case of tie for 1<sup>st</sup>, 2<sup>nd</sup> or 3rd, formula used by MAYB will be used to break tie. Games played at Drummond High School (DHS), Hiway 132 South and Kansas Avenue, Drummond, OK 73735, and Oakwood Activity Center (OAC), 401 North Oakwood, Enid, OK 73703.

- 1) High Plains Storm
- 2) Tonkawa Lady Bucs
- 3) Oklahoma Lady Trojans
- 4) VG Express
- 5) Canton Lady Tigers
- 6) Enid Pacers

	<u>SATURDAY</u>		<u>SUNDAY</u>	
	DHS	OAC		OAC
8 a.m.		2-3	12:30 p.m.	1-3
9		4-5	1:30	2-6
10		1-6	2:30	1-4
11		2-4	3:30	5-6
12 p.m.		1-5	4:30	3-4
1		3-6		
2				
3:30				
4:30	1-2			
5:30	3-5			
6:30				
7:30	4-6			
8:30		2-5		
9:30				

## HIGH SCHOOL BOYS

Top two teams in each pool advance to Bracket A. Others advance to Bracket B. In case of tie in pool play, formula used by MAYB will be used to break tie. Games played at Oklahoma Bible Academy (OBA), 5913 W. Chestnut, Enid, OK 73703, and Drummond High School (DHS), Hiway 132 South and Kansas Avenue, Drummond, OK 73735.

### Pool A

- 1) Guyman Tigers
- 2) Plainsmen
- 3) Kingman Basketball
- 4) Kremlin Broncs

### Pool B

- 5) High Plains Storm
- 6) CD Wildcats
- 7) Lomega
- 8) NW Trojans

### SATURDAY

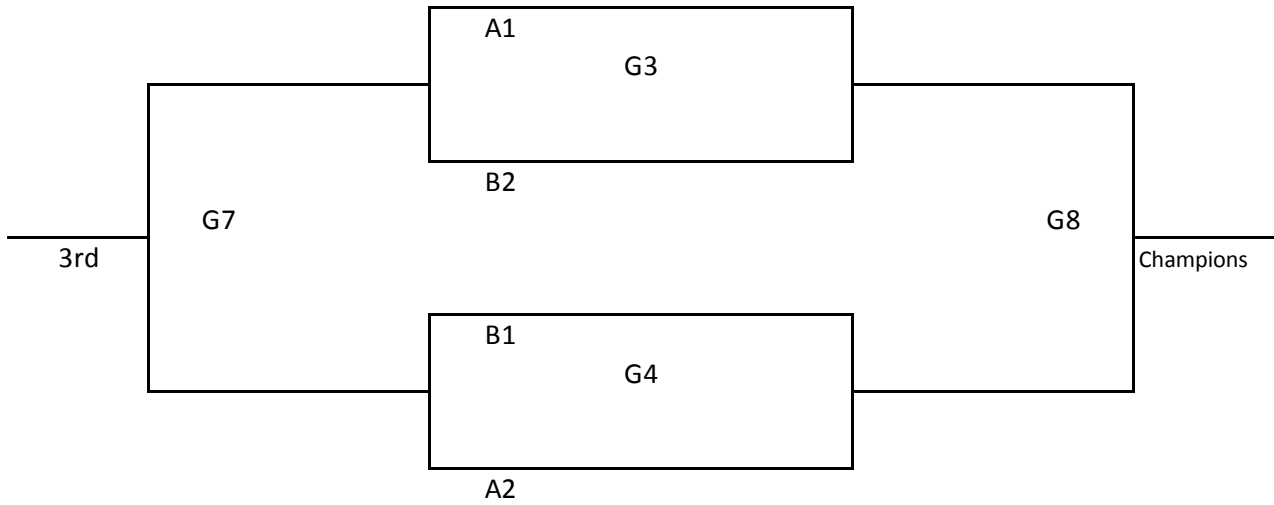
	OBA
8 a.m.	2-4
9	7-8
10	1-3
11	5-6
12 p.m.	3-4
1	1-2
2	5-7
3:30	6-8
4:30	1-4
5:30	2-3
6:30	5-8
7:30	6-7

### SUNDAY

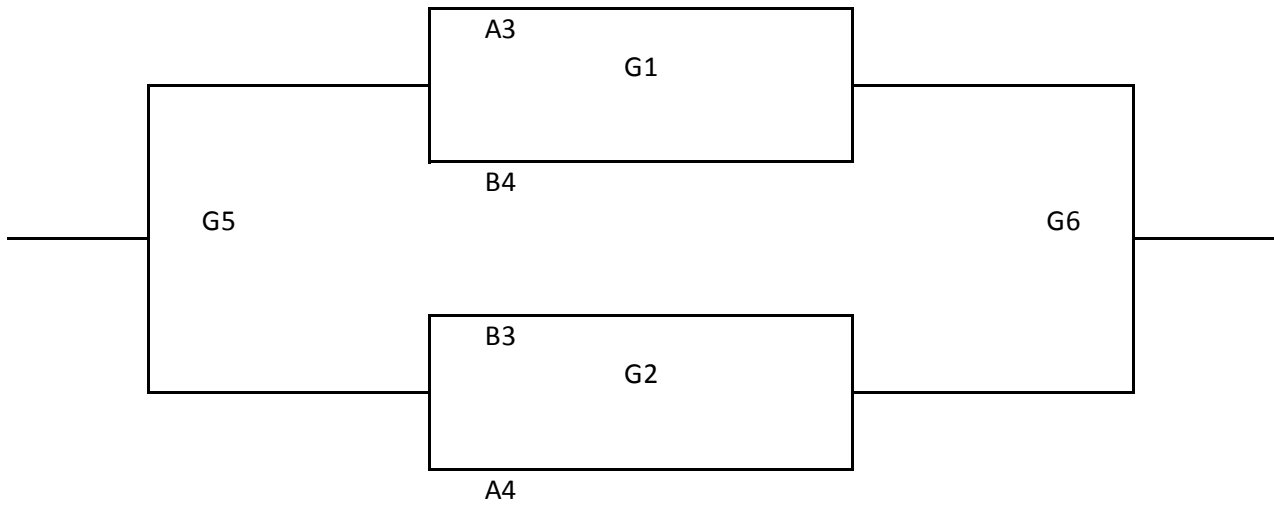
	DHS
8 a.m.	G1
9	G2
10	G3
11	G4
12 p.m.	G5
1	G6
2	G7
3	G8

# HIGH SCHOOL BOYS BRACKETS

## Bracket A



## Bracket B



11-12 GIRLS-REVISED 7/21

Round robin tournament. In case of tie for 1<sup>st</sup>, 2<sup>nd</sup>, or 3rd, formula used by MAYB will be used to break tie. Games played at Drummond High School (DHS), Hiway 132 South and Kansas Avenue, Drummond, OK 73735, Oakwood Activity Center (OAC), 401 North Oakwood, Enid, OK 73703, and Oklahoma Bible Academy (OBA), 5913 West Chestnut, Enid, OK 73703.

- 1) Kansas Twisters
- 2) Northern Oklahoma Prep
- 3) T.H.E.M.
- 4) Okeene Lady Whippets
- 5) Lady Horns
- 6) Enid Pacers

	<u>SATURDAY</u>		<u>SUNDAY</u>	
	DHS	OAC		OBA
8 a.m.	2-3		12:30 p.m.	1-3
9	4-5		1:30	2-6
10			2:30	1-4
11	1-6		3:30	5-6
12 p.m.	2-4		4:30	3-4
1				
2	1-5			
3:30		3-6		
4:30		1-2		
5:30		3-5		
6:30		4-6		
7:30		2-5		