

Tournament Synopsis Information

Tournament Location: Topeka, KS Visit www.sunflowergames.com for complete tournament information.

Tournament Date: July 23-25

Gyms

Location & Address

- | | | |
|-----|----------------------------|--|
| 1. | Washburn University | 1800 SW College, Topeka, KS |
| 2. | Capital City High School | 2828 6 th St., Topeka, KS |
| 3. | Boys & Girls Club | 510 SE 27 th St., Topeka, kS |
| 4. | Hillcrest Community Center | 1800 SE 21 st St., Topeka, KS |
| 5. | Christ the King Church | 5973 SW 25 th St., Topeka, KS |
| 6. | Sport Zone | 3907 SW Burlingame, Topeka, KS |
| 7. | Seaman Middle School | 5620 N. Topeka Blvd., Topeka, KS |
| 8. | Whitson Elementary School | 1725 SW Arnold, Topeka, KS |
| 9. | SW YMCA | 3635 SW Chelsea, Topeka, KS |
| 10. | | |

Local Attractions In Host City: Please visit: www.visittopeka.us/ for more information
Accomodations: www.parrishhotels.com or <http://topeka.place.hyatt.com/>

Here are some of the must-see family favorites:

- Discovery Place at the Kansas Museum of History – A hands-on gallery for children of all ages
- Gage Park - Home of the Topeka Zoo, a mini train and carousel, Blaisdell Aquatic Center and Reinisch Rose Garden.
- Old Prairie Town - Don't miss Potwin Drug Store featuring cold lunches and a working soda fountain.
- Brown v. Board of Education National Historic Site & Museum – Children can become a Junior Ranger and receive an official Junior Ranger badge by completing four of the six activities found in the Junior Ranger booklet.
- Combat Air Museum – Climb into the cockpit of a F11F Tiger flown by the Blue Angels

Highlights Of Tournament:

- >Atlete Festival and Torch Lighting Cermony will kick off the Sunflower State Games on Friday, July 16. Free BBQ provided by Rib Crib to all registered athletes.
- >Medals awarded to top three teams in each division.
- >Each athlete will receive a T-shirt and Souvenir Program.
- >Visit www.sunflowergames.com for more information.

Contact Information: Name: MAYB
(If Applicable) Phone Number: 316-284-0354
Email Address: mayb@mayb.com

Additional Summary Information of Tournament:

PLEASE NOTE: All coaches must complete the an official Sunflower State Games Roster/Team Waiver form in addition to the MAYB registration form. Forms can be found at www.sunflowergames.com. Completed roster/waiver form must be received by July 19, 2009. If form is not submitted on time, the team may be pulled from the tournament and placed at the end of the waiting list with no refund. If the team is allowed in the tournament, a \$15 late fee will be charged.

A team must have a minimum of 5 players and maximum of 12. Coaches/Team Contact must complete the roster change form for any substitutions and additions (up to the maximum roster size) to originally-submitted team rosters. Roster change form is downloadable from the website, www.sunflowergames.com

Coaches of ALL Youth basketball teams MUST CHECK-IN AT LEAST ONE HOUR PRIOR TO THE START OF THEIR FIRST GAME at Petro Hall Room 220, Washburn University. Waiver forms must be completed and signed by entire team before coaches are able to check-in and pick up packets and t-shirts.

Teams submitting their roster/waiver forms after July 19 will not receive t-shirts.

Admission fees will be charged at gate. Single day and weekend passes available. Adult Single Day: \$5 Adult Weekend: \$8 K-12 Single Day: \$3 K-12 Weekend: \$5
Coaches will receive passes for players and two coaches at check-in.

Topeka, KS MAYB
July 23-25, 2010

4th Grade Boys

| Pool A | W | L |
|-------------------------|----------|----------|
| 1. Emporia Jr. Spartans | | |
| 2. Osage County Stars | | |
| 3. Topeka Ice Storm | | |
| 4. WCS PressMark | | |
| 5. Burlington | | |
| 6. Kansas Bullets | | |
| 7. NEK Warriors | | |

Round Robin Format

Best Record Wins - Tie Breaker - 2 way - head to head
3 way - +/- 15pts

| Saturday | Whitson |
|-----------------|----------------|
| 8:00 | 1-2 |
| 9:00 | 3-4 |
| 10:00 | 5-6 |
| 11:00 | 1-7 |
| 12:00 | 2-3 |
| 1:00 | 4-5 |
| 2:00 | 6-7 |
| 3:00 | 1-3 |
| 4:00 | 2-4 |
| 5:00 | 5-7 |
| 6:00 | 4-6 |
| 7:00 | 3-5 |
| 8:00 | 1-6 |
| 9:00 | 2-7 |
| | |
| Sunday | |
| 8:00 | 3-6 |
| 9:00 | 4-7 |
| 10:00 | 1-5 |
| 11:00 | 2-6 |
| 12:00 | 3-7 |
| 1:00 | 2-5 |
| 2:00 | 1-4 |
| 3:00 | |
| 4:00 | |
| 5:00 | |
| 6:00 | |

All Games Played at Whitson Elementary School

Topeka, KS MAYB
July 23-25, 2010

5th Grade Boys

| Pool A | W | L |
|-----------------------|----------|----------|
| 1. Topeka Flight | | |
| 2. Topeka Heat | | |
| 3. Pott County Pacers | | |
| 4. Topeka Vikings | | |
| 5. Emporia Spartans | | |
| 6. HME | | |

Round Robin Format

Best Record Wins - Tie Breaker - 2 way - head to head
3 way - +/- 15pts

| Saturday | SZ 3 |
|-----------------|-------------|
| 8:00 | 1-2 |
| 9:00 | 3-4 |
| 10:00 | 5-6 |
| 11:00 | |
| 12:00 | |
| 1:00 | 1-6 |
| 2:00 | 4-5 |
| 3:00 | |
| 4:00 | |
| 5:00 | 2-3 |
| 6:00 | 4-6 |
| 7:00 | 2-5 |
| 8:00 | |
| 9:00 | |
| | |
| Sunday | |
| 8:00 | 1-4 |
| 9:00 | 3-5 |
| 10:00 | |
| 11:00 | |
| 12:00 | 1-5 |
| 1:00 | 2-4 |
| 2:00 | 3-6 |
| 3:00 | |
| 4:00 | |
| 5:00 | 1-3 |
| 6:00 | 2-6 |

All Games Played at the Sport Zone

Topeka, KS MAYB
July 23-25, 2010

11-12th Grade Boys (A Division)

| <u>Pool A</u> | <u>W</u> | <u>L</u> | <u>Pool B</u> | | |
|---------------------|----------|----------|----------------------|--|--|
| 1. Marysville | | | 5. Lawrence Lions | | |
| 2. Topeka Tornadoes | | | 6. Wamego Raiders | | |
| 3. Kansas Mustangs | | | 7. Topeka Vikings | | |
| 4. T-Birds | | | 8. Manhattan Indians | | |

Top 2 Teams in Each Pool to Bracket A, Others to Bracket B

| Friday | Wash 1 | Wash 2 | <i>A Bracket</i> | | |
|-----------------|---------------|---------------|------------------|--|-----------------|
| 5:00 | | | | | |
| 6:00 | | | | | |
| 7:00 | | | | | |
| 8:00 | | | | | |
| 9:00 | | | | | |
| | | | | | |
| Saturday | | | 3 rd | | 1 st |
| 8:00 | | | | | |
| 9:00 | | | | | |
| 10:00 | | | | | |
| 11:00 | | | | | |
| 12:00 | | | | | |
| 1:00 | | | | | |
| 2:00 | | | | | |
| 3:00 | 1-2 | 3-4 | | | |
| 4:00 | 5-6 | 7-8 | | | |
| | | | <i>B Bracket</i> | | |
| 5:00 | 1-3 | 2-4 | | | |
| 6:00 | 5-7 | 6-8 | | | |
| 7:00 | 2-3 | 1-4 | | | |
| 8:00 | 5-8 | 6-7 | | | |
| 9:00 | | | | | |
| | | | | | |
| Sunday | | | | | |
| 8:00 | G5 | G6 | | | |
| 9:00 | G1 | G2 | | | |
| 10:00 | | | | | |
| 11:00 | G3 | | | | |
| 12:00 | G7 | | | | |
| 1:00 | -- | | | | |
| 2:00 | G4 | | | | |
| 3:00 | G8 | | | | |
| 4:00 | | | | | |
| 5:00 | | | | | |
| 6:00 | | | | | |

All Games Played at Washburn University

Topeka, KS MAYB

July 23-25, 2010

3-4th Grade Girls

| Pool A | W | L |
|-----------------------------|----------|----------|
| 1. Topeka Hurricanes | | |
| 2. Bartlett Braves | | |
| 3. Lady Magic | | |
| 4. Stars | | |
| 5. Wildhawks | | |
| 6. Flint Hills Thunderbolts | | |
| 7. St. John Tigers | | |

Round Robin Format

Best Record Wins - Tie Breaker - 2 way - head to head

3 way - +/- 15pts

| Friday | SZ 4 | Whitson |
|-----------------|-------------|----------------|
| 5:00 | | |
| 6:00 | | |
| 7:00 | | |
| 8:00 | | |
| 9:00 | | |
| | | |
| Saturday | | |
| 8:00 | - | |
| 9:00 | - | |
| 10:00 | 1-2 | |
| 11:00 | 3-4 | |
| 12:00 | 5-6 | |
| 1:00 | 2-3 | |
| 2:00 | 4-5 | |
| 3:00 | 1-6 | |
| 4:00 | 2-4 | |
| 5:00 | 3-6 | |
| 6:00 | 1-5 | |
| 7:00 | - | |
| 8:00 | - | |
| 9:00 | - | |
| | | |
| Sunday | | |
| 8:00 | | |
| 9:00 | | |
| 10:00 | 1-3 | |
| 11:00 | 4-6 | |
| 12:00 | 2-5 | |
| 1:00 | 1-4 | |
| 2:00 | | |
| 3:00 | | 2-6 |
| 4:00 | | 3-5 |
| 5:00 | | - |
| 6:00 | | |

All Games Played at Whitson Elementary School and the Sport Zone

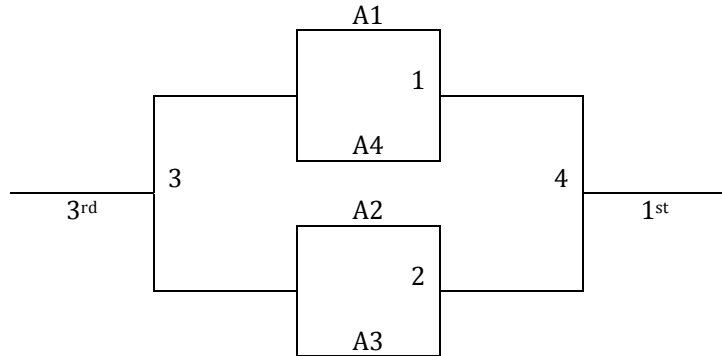
Topeka, KS MAYB
July 23-25, 2010

5-6th Grade Girls

| Pool A | W | L |
|-------------------------|----------|----------|
| 1. Topkea Hoopsters | | |
| 2. Lawrence Crush | | |
| 3. Sabetha Silver Stars | | |
| 4. Manhattan Lady Cats | | |

All teams to bracket

| Friday | SZ 3 |
|-----------------|-------------|
| 5:00 | |
| 6:00 | |
| 7:00 | |
| 8:00 | |
| 9:00 | |
| | |
| Saturday | |
| 8:00 | |
| 9:00 | |
| 10:00 | |
| 11:00 | 1-2 |
| 12:00 | 3-4 |
| 1:00 | |
| 2:00 | |
| 3:00 | 1-3 |
| 4:00 | 2-4 |
| 5:00 | |
| 6:00 | |
| 7:00 | |
| 8:00 | 1-4 |
| 9:00 | 2-3 |
| | |
| Sunday | |
| 8:00 | |
| 9:00 | |
| 10:00 | G1 |
| 11:00 | G2 |
| 12:00 | |
| 1:00 | |
| 2:00 | |
| 3:00 | G3 |
| 4:00 | G4 |
| 5:00 | |
| 6:00 | |



All Games Played at the Sport Zone

Topeka, KS MAYB
July 23-25, 2010

7th Grade Girls

| Pool A | W | L |
|----------------------|----------|----------|
| 1. Kansas Elite | | |
| 2. Kansas Legends | | |
| 3. Cap City Jump | | |
| 4. LC Pressure | | |
| 5. MO Valley Eclipse | | |
| 6. KS Khaos | | |
| 7. Lady Prospects | | |

Round Robin Format

Best Record Wins - Tie Breaker - 2 way - head to head
3 way - +/- 15pts

| Friday | SZ 1 | SZ 2 | SZ 4 |
|-----------------|-------------|-------------|-------------|
| 5:00 | | | |
| 6:00 | | | |
| 7:00 | | | |
| 8:00 | | | |
| 9:00 | | | |
| | | | |
| Saturday | | | |
| 8:00 | | 3-4 | |
| 9:00 | | 1-2 | |
| 10:00 | | 5-6 | |
| 11:00 | | 1-7 | |
| 12:00 | | | |
| 1:00 | | 2-3 | |
| 2:00 | | 4-5 | |
| 3:00 | | 6-7 | |
| 4:00 | | 1-3 | |
| 5:00 | | 2-4 | |
| 6:00 | | | |
| 7:00 | | | 5-7 |
| 8:00 | | | |
| 9:00 | | | |
| | | | |
| Sunday | | | |
| 8:00 | | - | |
| 9:00 | 3-5 | 4-6 | |
| 10:00 | | | |
| 11:00 | | 1-6 | |
| 12:00 | | 2-7 | |
| 1:00 | | 3-6 | |
| 2:00 | | 4-7 | |
| 3:00 | | 1-5 | |
| 4:00 | | 2-6 | |
| 5:00 | 1-4 | 3-7 | |
| 6:00 | | 2-5 | |

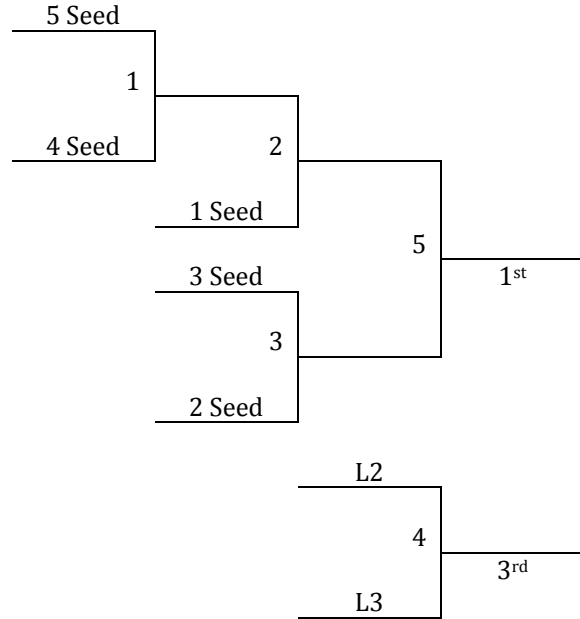
All Games Played at the Sport Zone

Topeka, KS MAYB
July 23-25, 2010

8th Grade Girls

| Pool A | W | L |
|-------------------------------------|----------|----------|
| 1. Topeka Lady Panthers | | |
| 2. Wetmore Cardinals | | |
| 3. Effingham Tigers | | |
| 4. Lady Prospects - 8 th | | |
| 5. Herington | | |

| Friday | SZ 1 |
|-----------------|-------------|
| 5:00 | |
| 6:00 | |
| 7:00 | |
| 8:00 | |
| 9:00 | |
| | |
| Saturday | |
| 8:00 | 1-2 |
| 9:00 | 3-4 |
| 10:00 | 1-5 |
| 11:00 | 2-3 |
| 12:00 | 4-5 |
| 1:00 | |
| 2:00 | |
| 3:00 | |
| 4:00 | |
| 5:00 | |
| 6:00 | 1-3 |
| 7:00 | 2-4 |
| 8:00 | 3-5 |
| 9:00 | 1-4 |
| | |
| Sunday | |
| 8:00 | 2-5 |
| 9:00 | |
| 10:00 | G1 |
| 11:00 | G3 |
| 12:00 | G2 |
| 1:00 | |
| 2:00 | G4 |
| 3:00 | G5 |
| 4:00 | |
| 5:00 | |
| 6:00 | |



All Games Played at the Sport Zone

Topeka, KS MAYB
July 23-25, 2010

9-10th Grade Girls

| Pool A | W | L |
|---------------------------|----------|----------|
| 1. Topeka Blue | | |
| 2. Burlington Red Rockets | | |
| 3. Fastbreak - KS | | |
| 4. KS KHAOS | | |
| 5. Kansas Ballers | | |
| 6. Lyndon Lady Tigers II | | |

Round Robin Format

Best Record Wins - Tie Breaker - 2 way - head to head
3 way - +/- 15pts

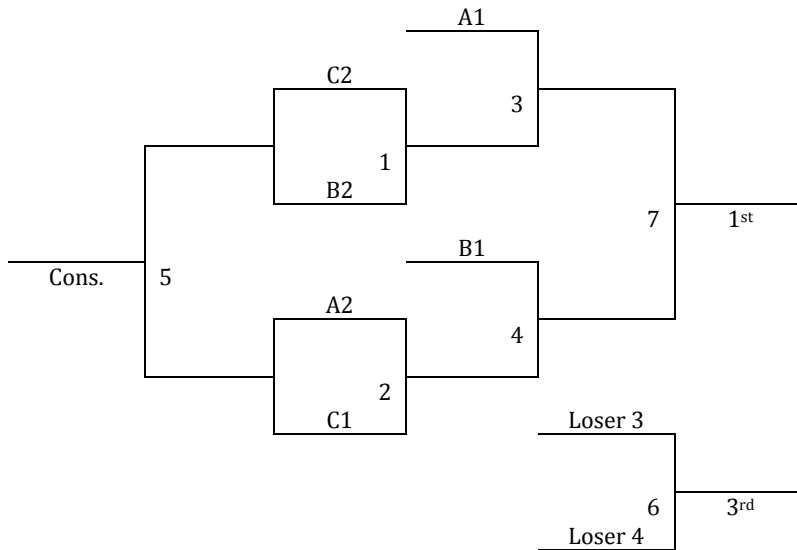
| Friday | CCHS |
|-----------------|-------------|
| 5:00 | |
| 6:00 | |
| 7:00 | |
| 8:00 | |
| 9:00 | |
| | |
| Saturday | |
| 8:00 | 1-2 |
| 9:00 | 3-4 |
| 10:00 | 5-6 |
| 11:00 | 1-3 |
| 12:00 | 2-5 |
| 1:00 | 4-6 |
| 2:00 | 1-5 |
| 3:00 | 2-4 |
| 4:00 | 3-6 |
| 5:00 | |
| 6:00 | |
| 7:00 | |
| 8:00 | |
| 9:00 | |
| | |
| Sunday | |
| 8:00 | |
| 9:00 | 1-4 |
| 10:00 | 2-6 |
| 11:00 | 3-5 |
| 12:00 | 1-6 |
| 1:00 | 2-3 |
| 2:00 | 4-5 |
| 3:00 | |
| 4:00 | |
| 5:00 | |
| 6:00 | |

All Games Played at Capital City High School

Topeka, KS MAYB
July 23-25, 2010

11-12th Grade Girls
Top 2 Teams in Each Pool to Bracket A, Others to Bracket B
(Seeded by Pool Play W/L Record)

Bracket A



Bracket B

