

July 9, 2010

****REVISED 7-14****

Memorandum To: All coaches and teams participating in the July 16-18, 2010
MAYB Tournament in Bonner Springs, Kansas

From: Andy Price - pricea@usd204.net
Clay Oakes - oakesc@usd204.net

Attached, you will find the schedule for your team's participation in the
July 16-18 West KC Shootout in Bonner Springs, Kansas.

Please make sure you check in at the admission table upon arrival. We will have two
complimentary coach's passes per team for you to pick up at the gate. Please show your
pass each time you arrive at the gym for a game. All other assistant coaches and
spectators will be required to purchase an admission ticket. Admission prices will be:

\$ 10 Adult Weekend Pass
\$ 8 Student (K-12) Weekend Pass

\$ 4 Adult – Friday only	\$ 3 Student K-12 Friday only
\$ 5 Adult – Saturday only	\$ 4 Student K-12 Saturday only
\$ 5 Adult – Sunday only	\$ 4 Student K-12 Sunday only

All teams must provide either a scorekeeper or a clock operator for each of their games.
Coaches and scorekeepers (or clock operators) should review the enclosed MAYB
tournament rules prior to arriving at the tournament. Reviewing them prior to arrival will
help us keep our games on schedule, and will minimize the possibility of confusion
during the tournament. Maps for the gym locations and area attractions are also enclosed.

Concessions will be provided at all gyms and a full service concession stand with food,
drinks, and t-shirts will be located at the District PE building. No outside food or drinks
will be allowed inside any of the facilities (except for water). Free wireless internet
access will also be available in all locations.

Thanks in advance for your participation. We look forward to a great event for your
athletes!

West KC Summer Shootout

Bonner Springs, KS 66012

Tournament Director: Andy Price – 913-915-2998, Clay Oakes – 913-636-4218

CMS = Clark Middle School – 420 N. Bluegrass

I-70 to K7 South, Right on Nettleton, Right on Morse, Left on Bluegrass.

District PE – 100 N. McDaniel

I-70 to K7 South, Right on Nettleton, Right on Morse, Left on Bluegrass.

BSHS = Bonner Springs High School – 100 N. McDaniel

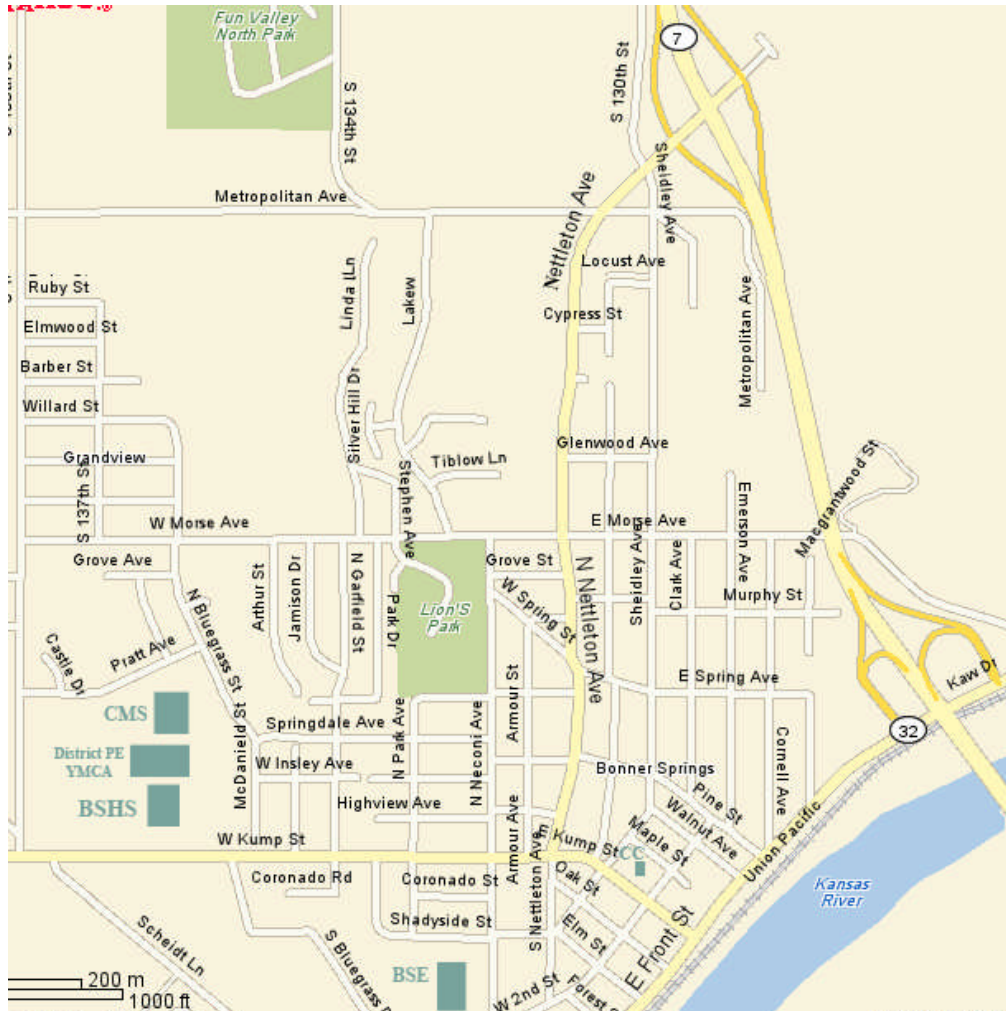
I-70 to K7 South, Right on Nettleton, Right on Morse, Left on Bluegrass.

CC = Bonner Springs Community Center – 200 E. Third

I-70 to K7 South, Right on Nettleton, Left on Kump, Left on Third.

BSE = Bonner Springs Elementary – 212 S. Neconi

I-70 to K7 South, Right on Nettleton, Right on Kump, Left on Neconi.

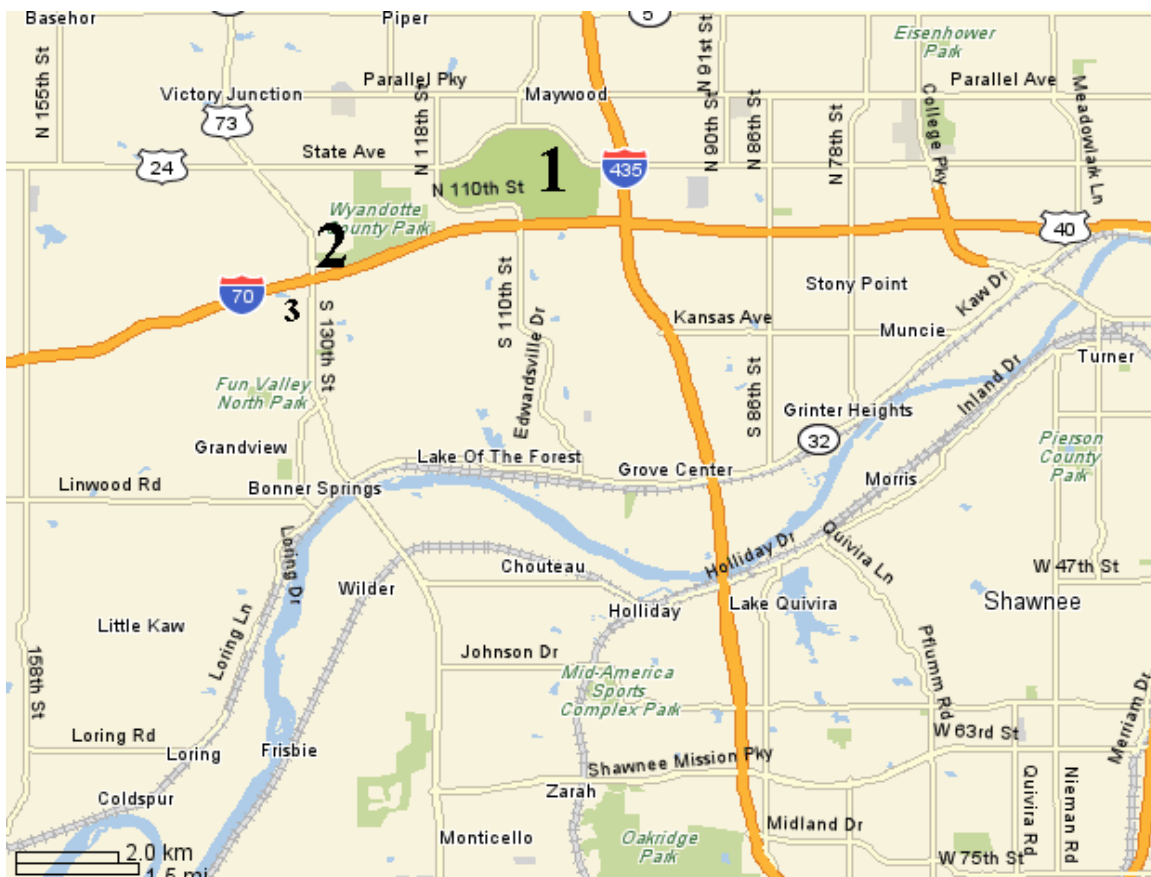


Area Attractions

1. Village West - Legends Shopping Center
Kansas Speedway
KC T-Bones Baseball Complex
Great Wolf Lodge
Nebraska Furniture Mart
2. Sunflower Golf Course
Wyandotte County Park
Agriculture Hall of Fame
Sandstone Amphitheatre
3. <http://www.bonnerrsprings.org/tourism2.html>

Holiday Inn Express
13031 Ridge Av.
Bonner Springs, KS 66012
1-888-206-2066

Super 8 Hotel
13041 Ridge Drive
Bonner Springs, KS 66012
1-800-800-8000



West KC Shootout 11th - 12th Grade Girls

Round robin pool play with top 2 teams in each pool going to bracket A and others to bracket B.

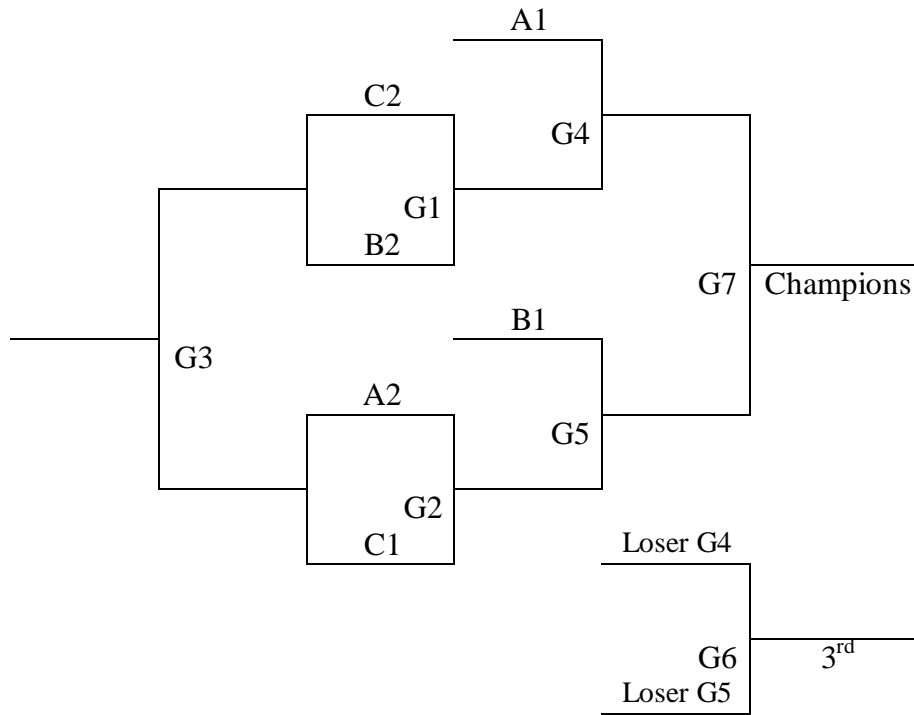
Awards given to top 3 teams in bracket A and winner of bracket B.

Pool A	Wins	Losses	Seed
1. MO Lady Sting	1		
2. Miede - Red	1		
3. Gardner Blazers	1		
4. Forfeit Team	0	3	
Pool B	Wins	Losses	Seed
5. Miede - Blue			
6. Lawson Magic -MO			
7. Tonganoxie			
8. Topeka Wildcats			
Pool C	Wins	Losses	Seed
9. Skutt Catholic Skyhawks			
10. Kansas City Spirit			
11. Bonner Springs			
12. Sabetha			

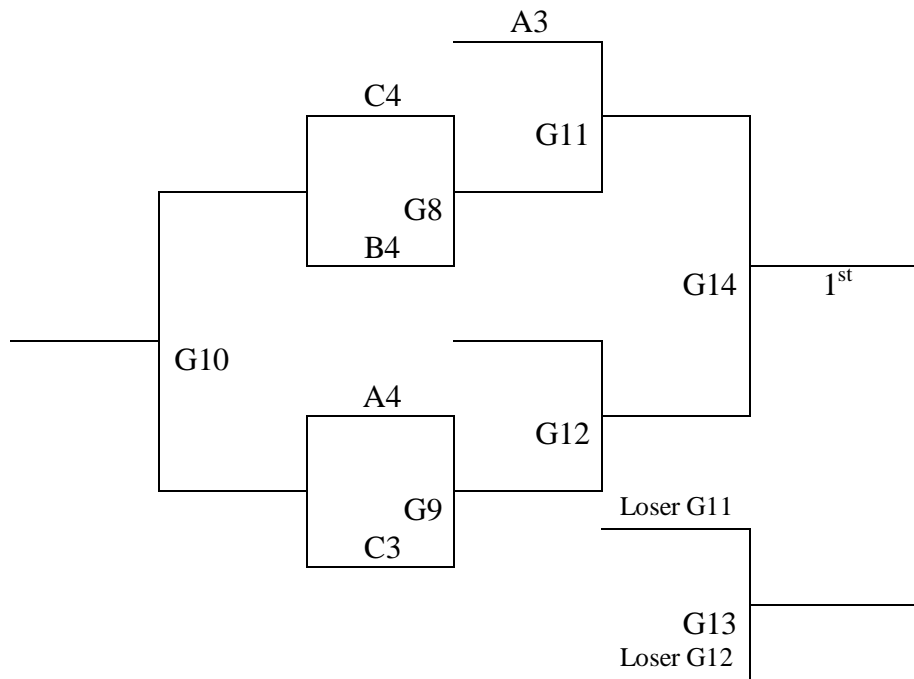
Friday	District PE Court 1	District PE Court 2
6:00	-	-
7:00	2-3	10-11
8:00	5-6	-
9:00	7-8	-
Saturday	District PE Court 1	District PE Court 2
8:00	-	-
9:00	9-12	-
10:00	5-7	-
11:00	1-2	-
12:00	3-11	-
1:00	6-8	-
2:00	9-10	-
3:00	11-12	-
4:00	1-3	-
5:00	5-8	-
6:00	6-7	-
7:00	9-11	-
8:00	10-12	-
9:00	-	-
Sunday	District PE Court 1	District PE Court 2
8:00	G8	G9
9:00	G1	G2
10:00	G11	G12
11:00	G4	G5
12:00	G3	G10
1:00	G7 - Championship	G14 - 1 st Place B
2:00	G6 - 3 rd Place	G13
3:00	-	-

11th - 12th Grade Girls

Bracket A



Bracket B



West KC Shootout 9th – 10th Grade Girls

Round robin pool play with top 2 teams in each pool going to bracket A and others to Bracket B.
Awards given to top 3 teams in bracket A and winner of bracket B.

Pool A	Wins	Losses	Seed
1. Gardner Blazers			
2. Bonner Springs			
3. Skutt Catholic Skyhawks			
4. Mystics – KS			
Pool B	Wins	Losses	Seed
5. Lansing Lions			
6. Hotshots – MO			
7. Ladycats – KS			
8. Lawrence Lions			

Friday	District PE Court 1	District PE Court 2
6:00	5-6	1-2
7:00	-	-
8:00	-	7-8
9:00	-	-
Saturday	District PE Court 1	District PE Court 2
8:00	-	3-4
9:00	-	5-7
10:00	-	6-8
11:00	-	1-3
12:00	-	2-4
1:00	-	-
2:00	-	-
3:00	-	-
4:00	-	-
5:00	-	-
6:00	-	5-8
7:00	-	6-7
8:00	-	1-4
9:00	-	2-3
Sunday	District PE Court 1	District PE Court 2
8:00	-	-
9:00	-	-
10:00	-	-
11:00	-	-
12:00	-	-
1:00	-	-
2:00	-	-
3:00	G1	G2
4:00	G5	G6
5:00	G3 – 3 rd Place	G4 - Championship
6:00	G7	G8 – 1 st Place B

7th - 8th Grade Girls

Round Robin Format

Awards given to top 3 teams – Ties broken by head to head competition.

Team	Wins	Losses	Place
1. NEK Stars			
2. KC Swoosh			
3. Northland United – MO			
4. Bonner Springs			
5. Lady Sparks – KS			
6. Topeka Lady Panthers			

Friday	BSE	District PE Court 2	CMS
6:00	-	-	-
7:00	-	-	-
8:00	-	-	-
9:00	-	5-6	3-4
Saturday	BSE	District PE Court 2	CMS
8:00		-	-
9:00	-	-	-
10:00		-	-
11:00	1-2	-	-
12:00		-	-
1:00	-	1-5	-
2:00	-	2-4	-
3:00	-	3-6	-
4:00	-	2-5	-
5:00	-	1-3	-
6:00	4-6	-	-
7:00	-	-	-
8:00	-	-	-
9:00	-	-	-
Sunday	BSE	District PE Court 2	CMS
8:00	-	-	-
9:00	-	-	2-6
10:00	-	-	3-5
11:00	1-6	-	-
12:00	4-5	-	-
1:00	-	-	-
2:00	-	-	-
3:00	2-3	-	-
4:00	1-4	-	-
5:00	-	-	-
6:00	-	-	-

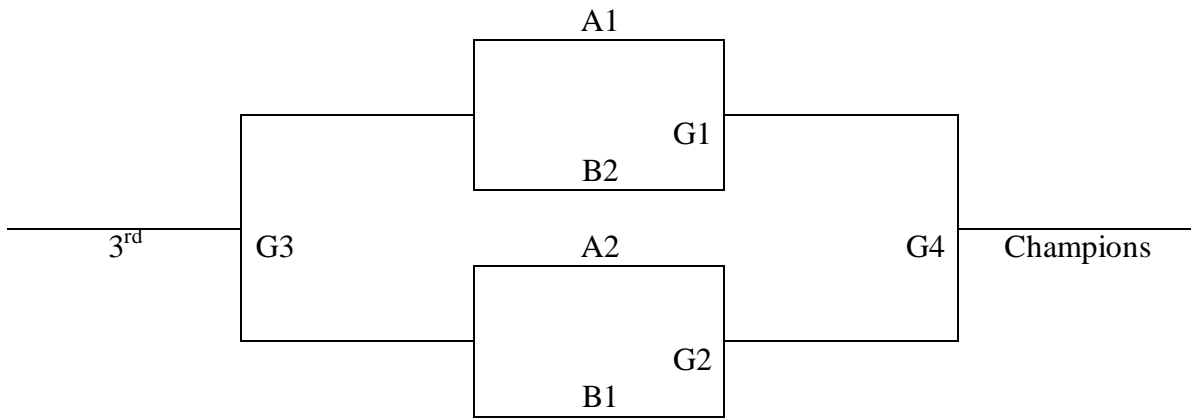
West KC Shootout 11th – 12th Grade Boys

Round robin pool play with top 2 teams in each pool going to bracket A and others to Bracket B.
Awards given to top 3 teams in bracket A and winner of bracket B.

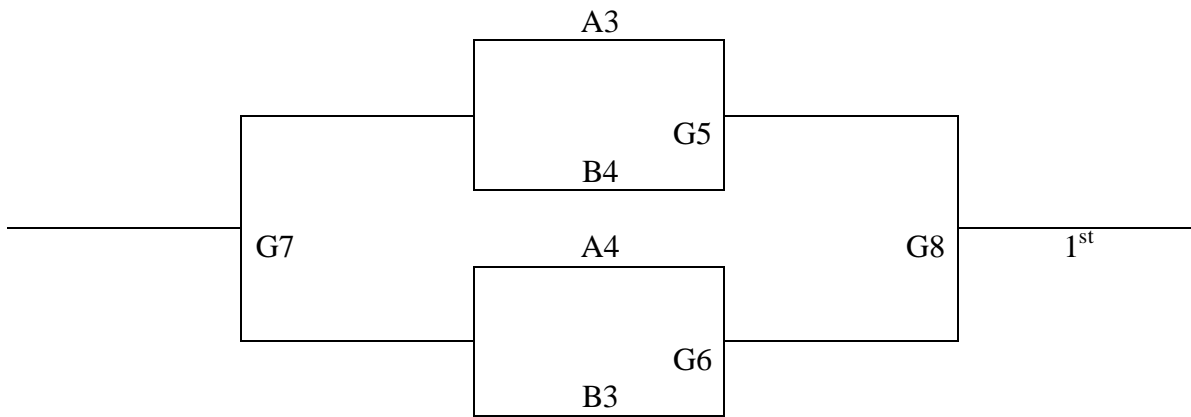
Pool A	Wins	Losses	Seed
1. Lee's Summit Bomb Squad			
2. Phoenix Basketball – MO			
3. Bonner Springs			
4. Spring Hill Broncos			
Pool B	Wins	Losses	Seed
5. DENCO – OK			
6. Livin' The Dream – KS			
7. Lansing Lions			
8. Kansas Mustangs			

Friday	BSHS	CMS
6:00	-	1-2
7:00	-	3-4
8:00	-	6-8
9:00	-	-
Saturday	BSHS	CMS
8:00	2-3	-
9:00	5-7	-
10:00	1-4	-
11:00	-	-
12:00	-	5-6
1:00	7-8	-
2:00	-	1-3
3:00	-	2-4
4:00	5-8	6-7
5:00	-	-
6:00	-	-
7:00	-	-
8:00	-	-
9:00	-	-
Sunday	BSHS	CMS
8:00	G5	G6
9:00	G1	-
10:00	G2	-
11:00	G7	G8 – 1 st Place B
12:00	G3 – 3 rd Place	G4 - Championship
1:00	-	-
2:00	-	-
3:00	-	-
4:00	-	-
5:00	-	-
6:00	-	-

West KC Shootout
11th – 12th Grade Boys
Bracket A



Bracket B



West KC Shootout 9th - 10th Grade Boys

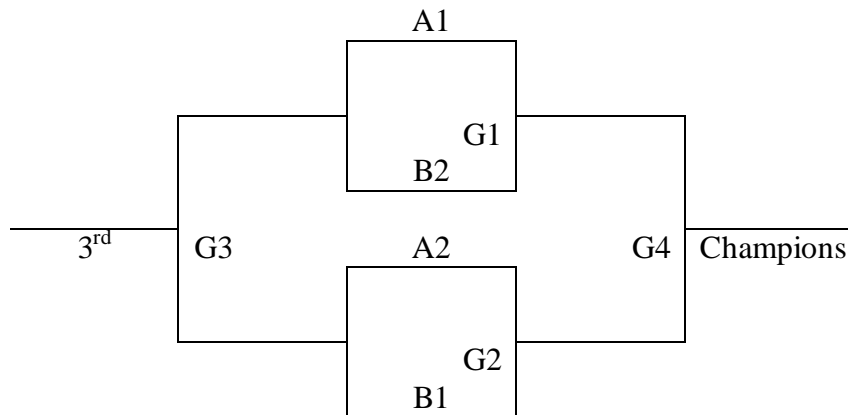
Round robin pool play with top 2 teams in each pool going to bracket A and others to bracket B.

Awards given to top 3 teams in bracket A and winner of bracket B.

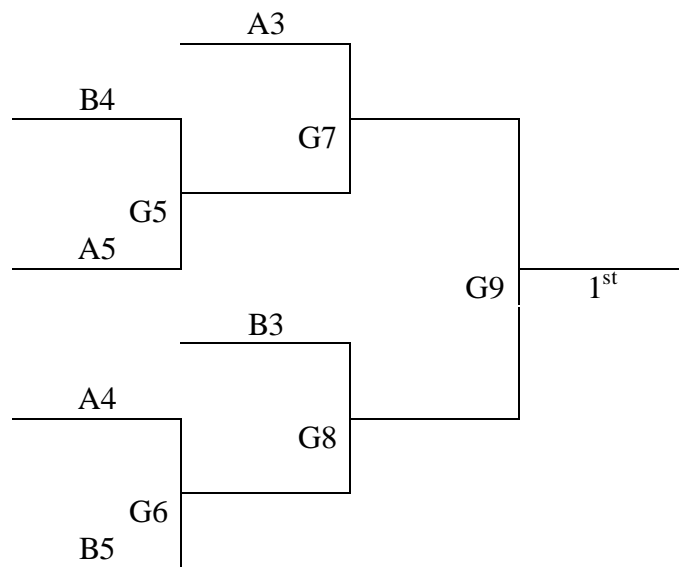
Pool A	Wins	Losses	Seed
1. Lawrence Cougars			
2. South KC Spartans			
3. CTG Warriors			
4. Lansing Lions			
5. Those Guys			
Pool B	Wins	Losses	Seed
6. Nitro			
7. South KC Spartans 2			
8. Living The Dream			
9. Bonner Springs			
10. Mavericks - KS			

Friday	BSHS	CMS
6:00	1-2	-
7:00	3-4	-
8:00	8-9	-
9:00	6-7	-
Saturday	BSHS	CMS
8:00	-	2-5
9:00	-	9-10
10:00	-	6-8
11:00	-	1-5
12:00	-	-
1:00	-	7-10
2:00	1-3	-
3:00	4-5	-
4:00	-	-
5:00	7-9	3-5
6:00	2-4	8-10
7:00	-	6-9
8:00	1-4	7-8
9:00	2-3	6-10
Sunday	BSHS	CMS
8:00	-	-
9:00	-	-
10:00	-	-
11:00	-	-
12:00	-	-
1:00	G5	G6
2:00	-	G1
3:00	-	G2
4:00	G7	G8
5:00	-	G4 – Championship
6:00	G3 – 3 rd Place	G9 – 1 st Place B

West KC Shootout
9th - 10th Grade Boys
Bracket A



Bracket B



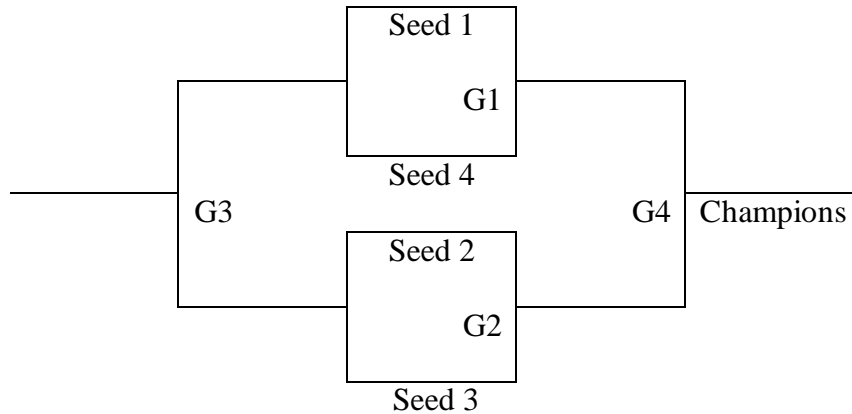
West KC Shootout 7th - 8th Grade Boys

3 games round robin then one bracket.
Awards given for 1st and 2nd in bracket.

Team	Wins	Losses	Seed
1. CTG Warriors			
2. Lansing Lions			
3. Missouri Magic			
4. Topeka Heat			

Saturday	BSE	BSHS
8:00	-	-
9:00	-	-
10:00	-	-
11:00	-	1-4
12:00	-	2-3
1:00	-	-
2:00	1-2	-
3:00	3-4	-
4:00	-	-
5:00	-	-
6:00	-	-
7:00	1-3	2-4
8:00	-	-
9:00	-	-
Sunday	BSE	BSHS
8:00	-	-
9:00	-	-
10:00	-	-
11:00	-	-
12:00	-	-
1:00	-	-
2:00	-	G1
3:00	-	G2
4:00	-	-
5:00	G3	G4 - Championship
6:00	-	-

7th - 8th Grade Boys



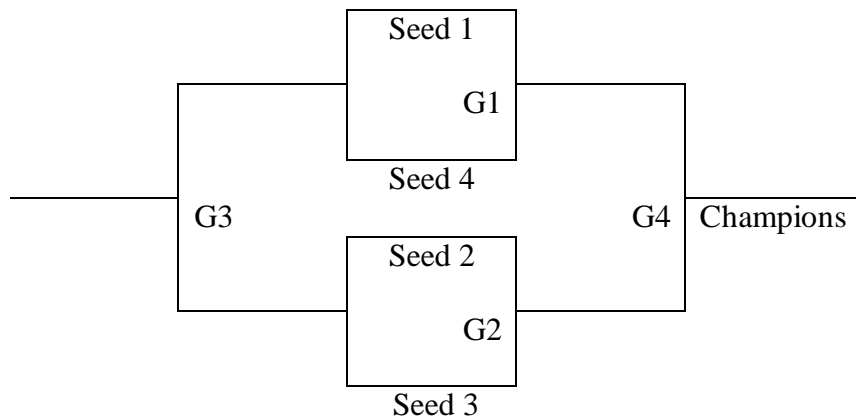
West KC Shootout 6th Grade Boys

3 games round robin then one bracket.
Awards given for 1st and 2nd in bracket.

Team	Wins	Losses	Seed
1. Spring Hill Mavericks			
2. KC Storm			
3. Lebo Outlaws			
4. Sabetha Bluejays			

Saturday	BSE
8:00	-
9:00	1-2
10:00	3-4
11:00	-
12:00	1-3
1:00	2-4
2:00	-
3:00	-
4:00	1-4
5:00	2-3
6:00	-
7:00	-
8:00	-
9:00	-
Sunday	BSE
8:00	-
9:00	G1
10:00	G2
11:00	-
12:00	-
1:00	G4 - Championship
2:00	G3
3:00	-
4:00	-
5:00	-

6th Grade Boys



MAYB

Summer Tournament Regulations and Guidelines

1. All teams are guaranteed a minimum of 5 scheduled games each weekend. Some teams will play 7 or 8. When possible, teams will be ability grouped after pool play and brackets will be played out.
2. Regulation High School Activities Association rules will be followed with the following exceptions:
 - 20 minute running clock except for last 2 minutes of each half, unless one team is ahead by more than 15 points. If lead falls below 15 points, clock will again stop. In addition, clock will stop on all technical fouls, injuries or timeouts (including officials TO). Clock does not restart until it would in a normal dead ball situation.
 - 4th, 5th, and 6th boys will use girls' size ball. 7th grade boys will use the ball size of the state they are playing in. In KS, 7th grade boys play with a girls' size ball.
 - 5-minute halftime and 5 minute pre-game warm-up.
 - Game time is forfeit time.
 - We recommend jerseys with numbers on front and back. No number restrictions exist.
 - 4 timeouts per game, no 30-second timeouts.
3. No locker rooms, balls, etc...will be provided by schools.
4. Individual awards for 1st and 2nd in each age group.

Team awards for 1st. These are minimums!

We must have at least 4 teams to provide a tournament for an age group and would prefer at least 6. If we do not have these, age groups may be cancelled. MAYB reserves the right to combine age groups without notification.
5. Players may play on only one team within a tournament age group. Player's eligibility will be checked by a current grade card, if requested. Players may play "up" in an older age group. This could mean a player plays in the 8th grade tournament and the 9th-10th grade division. But they can't play on 2 teams in the same 8th grade tournament.
6. Each team is required to provide a scorekeeper or clock operator for each game. We have had great success with this. It is harder to yell at your own person, but please do not put kids in this situation. It is unfair to them if adults are yelling at them!
7. All games will be officiated by High School Certified Officials.
8. Inappropriate behavior will not be tolerated!!! A referee may remove players from the game or tournament for inappropriate behavior. We are here for the kids. Do not allow or condone poor sportsmanship. This includes coaches and parents!
9. Referee may stop clock with reason. Intentionally wasting time to shorten the game can be punished with a technical foul. This does not mean a team can't use a delay offense at any time they choose. They simply can't tell players to not line up for free throws or sub 1 player at a time to run the clock.
10. Each tournament site will have a director. Please direct questions to this individual during the weekend.
11. If you need motel lists and playing sites, call The Wichita Sports Commission toll free at 1-800-526-9424.
12. Schedules and brackets will be mailed at least 7-10 days in advance of the tournament.
13. No food or drinks allowed in tournament facilities unless otherwise noted.
14. Tiebreaker procedure is as follows: 1st criteria is head to head competition. If a 3-way tie exists and each team has no head to head winner (beat both the other teams) a coin flip is used to determine the first seed. Odd team out wins the first seed. Then tiebreaker procedure reverts to head to head. If teams have all not played each other another form may be used. For a round robin tournament a 3-way tie can be broken by a point differential with a max of plus or minus 15 points per game.
15. Overtimes will be 2 minutes in length with regular clock operation. The clock stops on all dead balls.
16. Each tournament will provide two coaches passes per team.
17. In case of foul weather we will attempt to reschedule games if at all possible. This may mean games are shortened or we play late. Refunds and scheduling at later dates are not possible.
18. All roster changes made after the entry deadline should be given to the tournament director before playing a game at a specific tournament. Grade cards will still be used to determine eligibility. You should have these with you at all times in case of protest. Final eligibility rulings will be made by the area director if weekend conflicts occur. There is no way for the National Office to make these decisions. If you know players will be gone, plan ahead! We want everyone to be able to play, but we do not want teams bringing in players on Sunday because they feel it is the only way to win the tournament.
19. Our first and primary goal remains to give all players maximum court time to improve their game in a competitive setting.