

## ***HIGH SCHOOL GIRLS***

Top two teams in each pool advance to bracket A; remaining teams to consolation brackets. In case of tie in pool play, formula used by MAYB will be used to break tie. Games played at McPherson College Sport Center, 400 North Eshelman, McPherson, KS 67460. Two gymnasiums in Sport Center: Main and Auxiliary. Games also played at McPherson High School in Auxiliary Gym (MHS), 801 East First Street, McPherson, KS 67460. Enter through west doors.

### Pool A

- 1) Mac Lady Pups (9-10)
- 2) Tescott Trojans
- 3) Miede-Blue
- 4) Salina South Lady Cougars
- 5) SW KS Lady Hawks

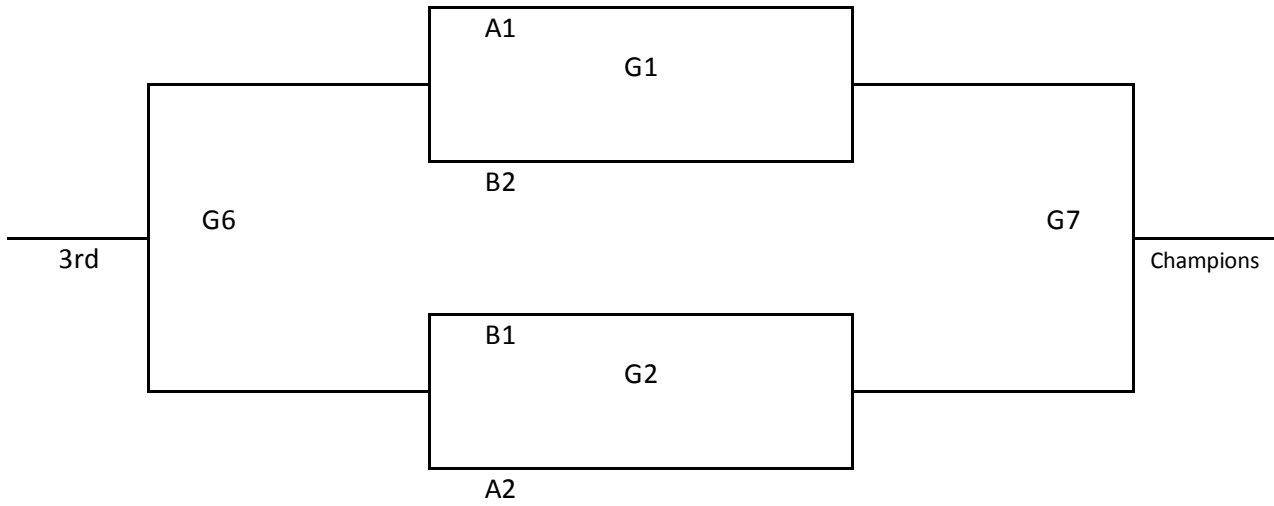
### Pool B

- 6) Mac Lady Pups (11-12)
- 7) St. John Tigers
- 8) Hutchinson Lady Tigers
- 9) Garden City Lady Hawks
- 10) Mitchell

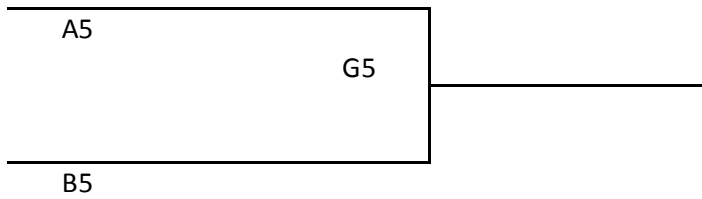
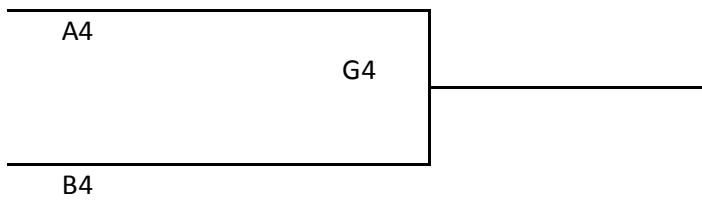
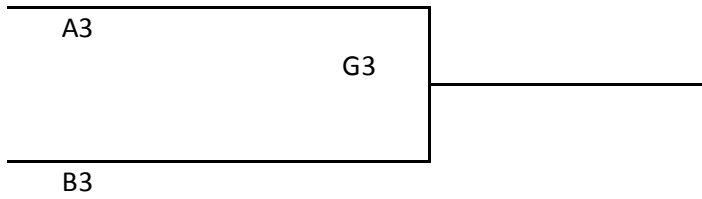
<i>FRIDAY</i>		<i>SATURDAY</i>			<i>SUNDAY</i>		
MAIN	AUX	MHS	MAIN	AUX	MAIN	AUX	
5 p.m.	1-4	8 a.m.	6-8		8 a.m.		
6		9	7-10		9	G4 G5	
7	6-7	10	3-5		10		
8		11	7-8		11	G3	
9		12 p.m.	1-3	6-9	12 p.m.		
10	1-2	1	2-5	8-10	1	G1 G2	
		2		7-9	2		
		3:30		6-10	3		
		4:30	1-5	2-3	4	G7 G6	
		5:30					
		6:30	8-9				
		7:30	4-5				
		8:30					
		9:30		3-4	9-10		

# 11-12 GIRLS BRACKETS

## Bracket A



## Consolation Brackets



### ***3-4 GIRLS-REVISED 7/5***

Round robin tournament. In case of tie for 1<sup>st</sup>, 2<sup>nd</sup>, or 3<sup>rd</sup>, formula used by MAYB will be used to break tie. Games played at Elyria Christian School, 1644 Commanche Road, McPherson, KS 67460.

- 1) Flint Hills Thunderbolts
- 2) Newton Railers-Bartel
- 3) Newton Railers-Gile
- 4) Garden City Fury
- 5) Mac Ice
- 6) McPherson Lady Pups

<i>Friday</i>	<i>Saturday</i>	<i>Sunday</i>
5 p.m.	8 a.m. 5-6	8 a.m. 3-4
6 3-6	9 1-4	9
7 2-5	10 2-6	10 1-5
8	11 3-5	11
9 2-3	12 p.m.	12 p.m. 2-4
10	1 1-6	1 1-3
	2	2
	3:30	3 4-6
	4:30	4
	5:30	5
	6:30	
	7:30 4-5	
	8:30 1-2	
	9:30	

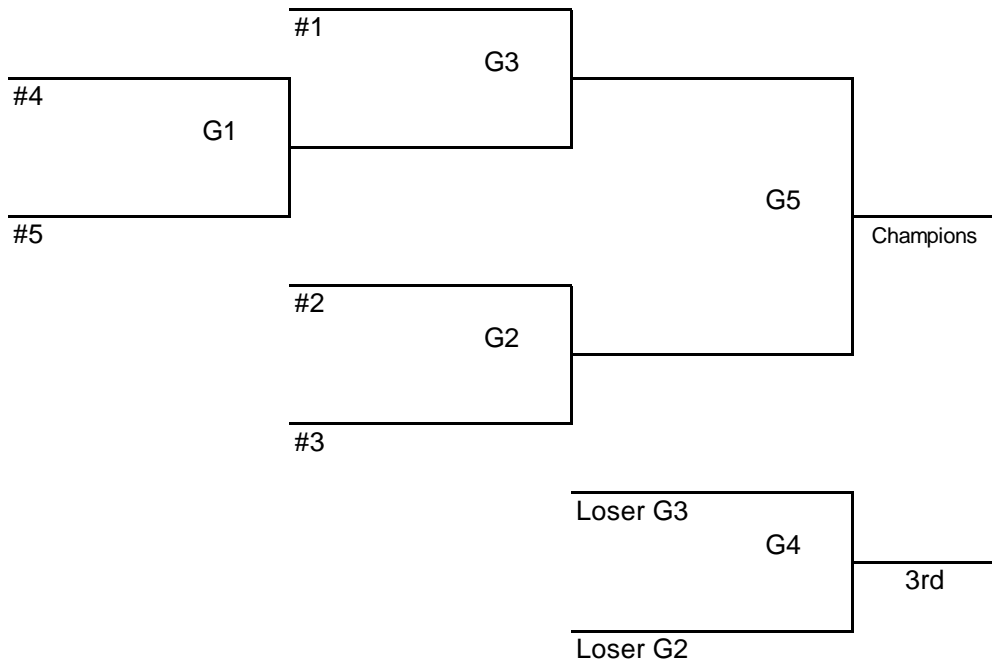
## **7-8 BOYS-REVISED 7/5**

Records in pool play will be used to determine seeding in tournament. In case of tie in pool play, formula used by MAYB will be used to break tie. Games played at Elyria Christian School, 1644 Commanche Road, McPherson, KS 67460. Note: 28.5 size basketball will be used unless agreed upon by both teams to use men's size ball.

- 1) Buhler
- 2) Clay Center Outlaws
- 3) Hanover Wildcats
- 4) Mitchell
- 5) St. John Tigers

<i>Friday</i>		<i>Saturday</i>		<i>Sunday</i>	
5 p.m.	1-2	8 a.m.		8 a.m.	
6		9		9	2-4
7		10		10	
8	1-5	11		11	G1
9		12 p.m.	3-4	12 p.m.	
10		1		1	
		2	2-5	2	G2
		3:30	1-4	3	
		4:30	2-3	4	G3
		5:30	4-5	5	G4
		6:30	1-3	6	G5
		7:30			
		8:30			
		9:30	3-5		

# 7-8 BOYS BRACKET



**9-10 BOYS-REVISED 7/7**

Round Robin tournament. In case of tie for 1<sup>st</sup>, 2<sup>nd</sup>, or 3<sup>rd</sup>, formula used by MAYB will be used to break tie. Games played McPherson College Sport Center, 400 North Eshelman, McPherson, KS 67460. Two gymnasiums in Sport Center: Main and Auxiliary. Games also played at McPherson High School Auxiliary Gym (MHS), 801 East First Street, McPherson, KS 67460. Enter through west doors.

- 1) Hillsboro Trojans
- 2) McPherson
- 3) GC Buffs III
- 4) SES Trojans
- 5) Herington
- 6) Salina Ice

<i>Friday</i>		<i>Saturday</i>		<i>Sunday</i>		
MAIN	AUX	MHS	AUX	MAIN	AUX	
5 p.m.	1-4	8 a.m.	2-6	8 a.m.	4-5	3-6
6	2-5	9	3-4	9		
7		10		10		
8	1-5	11	1-6	11	1-3	
9	2-4	12 p.m.		12 p.m.		4-6
10		1		1		
		2	1-2			
		3:30	3-5			
		4:30				
		5:30	2-3			
		6:30				
		7:30		5-6		
		8:30				
		9:30				

## ***11-12 BOYS-REVISED 7/7***

Top two teams from each pool advance to Bracket A. Remaining teams advance to consolation games. Games played at McPherson College Sport Center, 400 North Eshelman, McPherson, KS 67460. Two gymnasiums in Sport Center: Main and Auxiliary.

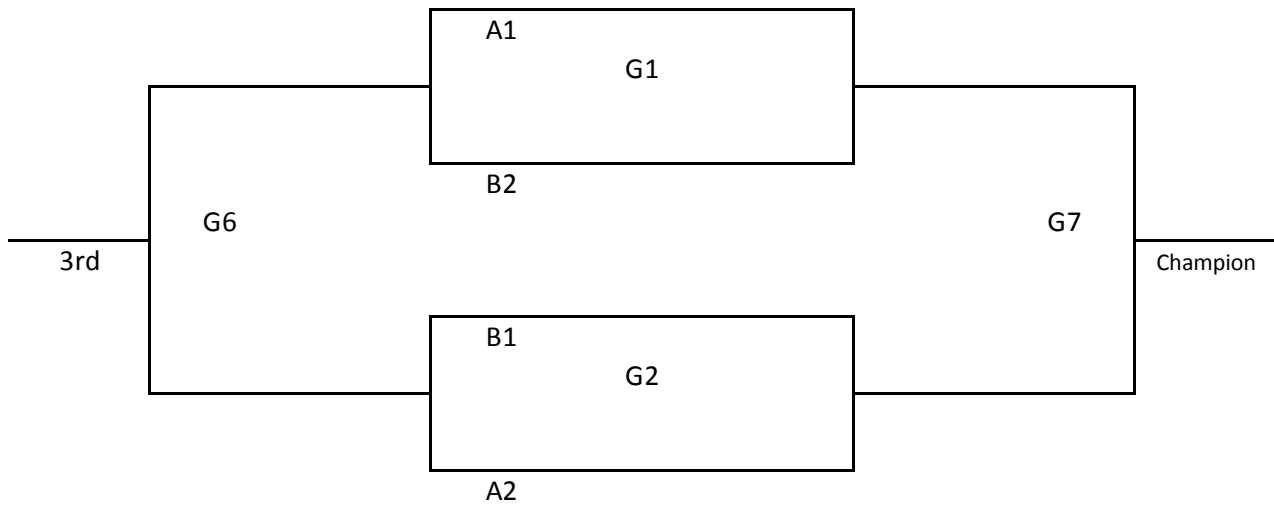
- Pool A
- 1) Laramie, WY
  - 2) Ellsworth
  - 3) ICAR
  - 4) GC Buffs II
  - 5) St. John Tigers

- Pool B
- 6) MC Bulldogs
  - 7) McPherson
  - 8) GC Buffs I
  - 9) Herington
  - 10) Kingman Basketball

<i>FRIDAY</i>		<i>SATURDAY</i>			<i>SUNDAY</i>		
MAIN		MAIN	AUX				
5 p.m.		8 a.m.	7-8		8 a.m.		
6	3-5	9	6-9		9		
7		10	3-4	8-10	10	G2	G1
8	9-10	11	1-2		11		
9	2-3	12 p.m.	4-5		12 p.m.	G3	
10	1-5	1	6-7		1		
		2	8-9		2	G4	G5
		3:30	2-4		3	G7	G6
		4:30	1-3		4		
		5:30	6-10	7-9			
		6:30	1-4	2-5			
		7:30	7-10				
		8:30	6-8				

# 11-12 BOYS BRACKETS

## Bracket A



## Consolation Bracket Games

