

9th-10th Grade Boys-Gold

Pool A

1. TX Real
2. Team Elite White
3. SA Wildcats
4. Pflugerville Ballerz

W L

Pool B

5. Triple Threat Tigers
6. TX Legends
7. Capitol Force
8. SA Celtics

W L

Pool C

9. Ultimate Champions
10. San Marcos Hawks
11. Stockdale
12. SA Hustlers

W L

Games played at Wallace M.S. in Kyle, TX

<u>Friday</u>	<u>Wallace I</u>	<u>Wallace II</u>
6:00	--	--
7:00	9-10	11-12
8:00	7-8	3-4
9:00	--	--
10:00	--	--

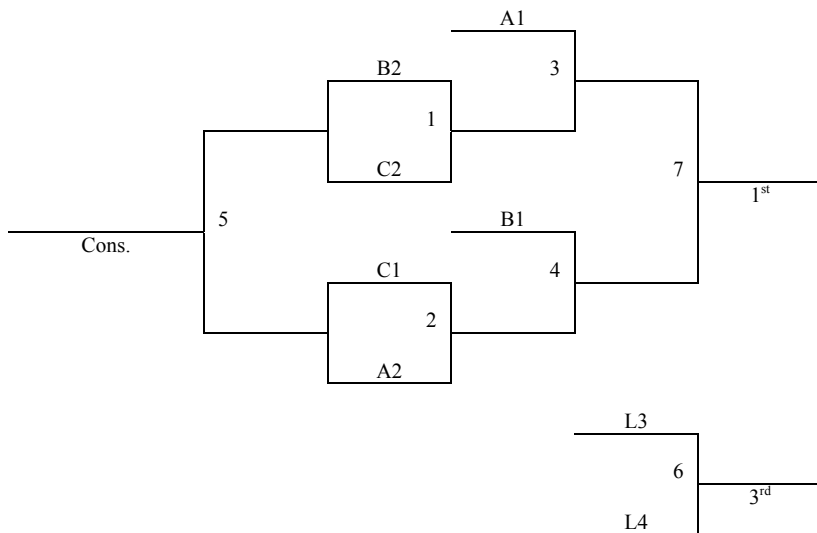
Sat

8:00	1-2	5-6
9:00	--	--
10:00	9-11	1-3
11:00	10-12	2-4
12:00	--	--
1:00	5-7	6-8
2:00	9-12	10-11
3:00	1-4	2-3
4:00	--	--
5:00	5-8	6-7
6:00	--	--
7:00	--	--
8:00	--	--
9:00	--	--
10:00	--	--

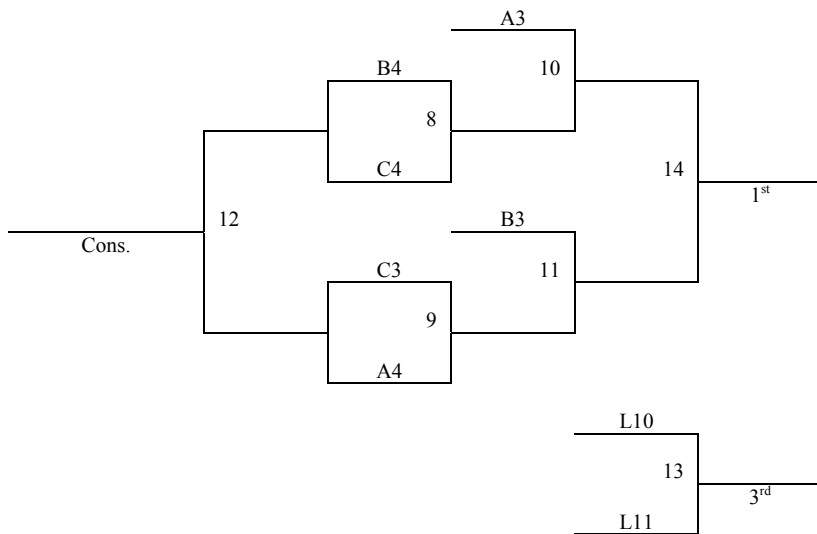
Sun.

8:00	G8	G9
9:00	G1	G2
10:00	G5	G12
11:00	G10	G11
12:00	G3	G4
1:00	G14	G13
2:00	G7	G6
3:00	--	--
4:00	--	--

Bracket A



Bracket B



9th-10th Grade Boys Silver

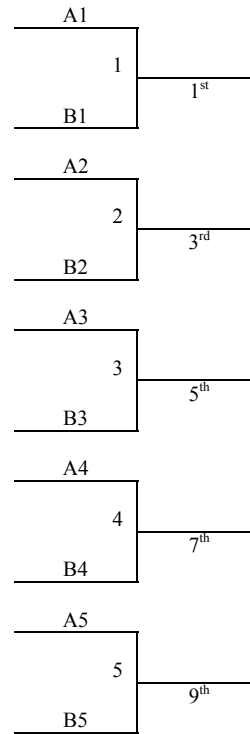
<u>Pool A</u>	<u>W</u>	<u>L</u>	<u>Pool B</u>	<u>W</u>	<u>L</u>
1. Austin Wildcats			6. Gamma Rays		
2. FOC Admirals			7. Liberty Hill Wildcats		
3. Team Elite Black			8. San Marcos Saints		
4. Court Vision Tigers			9. TX Mavs		
5. San Marcos Blue Devils			10. San Marcos Panthers		

<u>Friday</u>	<u>Wallace I</u>	<u>Wallace II</u>	<u>Red I</u>	<u>Miller I</u>
6:00	1-4	7-10	--	--
7:00	--	--	--	--
8:00	--	--	--	--
9:00	4-5	6-8	--	--

<u>Sat</u>				
8:00	--	--	--	--
9:00	1-3	7-9	--	--
10:00	--	--	8-10	--
11:00	--	--	2-4	--
12:00	6-10	3-5	--	--
1:00	--	--	1-2	--
2:00	--	--	6-7	--
3:00	--	--	9-10	--
4:00	2-3	7-8	1-5	--
5:00	--	--	--	--
6:00	6-9	3-4	--	--
7:00	--	--	--	--
8:00	--	8-9	--	--
9:00	--	--	--	2-5
10:00	--	--	--	--

<u>Sun.</u>				
8:00	--	--	G5	--
9:00	--	--	G4	--
10:00	--	--	G3	--
11:00	--	--	G2	--
12:00	--	--	G1	--
1:00	--	--	--	--
2:00	--	--	--	--
3:00	--	--	--	--
4:00	--	--	--	--

Bracket Play



Games played at Hays H.S. Red Gym and Wallace M.S. in Kyle, TX. And Miller M.S. in San Marcos.

9th-10th Grade Girls

Games played at Tom Crump and West Gym, Barn M.S. in Seguin and Navarro HS

Pool A

- 1. SA Comets
- 2. Austin Wildcats Silver -9-10th
- 3. Lady Hoopsters
- 4. NB Jammers

W L

Pool B

- 5. SA Elite
- 6. Lady Wolves 2012
- 7. Next Level
- 8. Poth Pirettes

W L

Pool C

- 9. San Marcos Lady Saints
- 10. Austin Wildcats Silver
- 11. South TX Eagles BB
- 12. Seguin Lady Stars

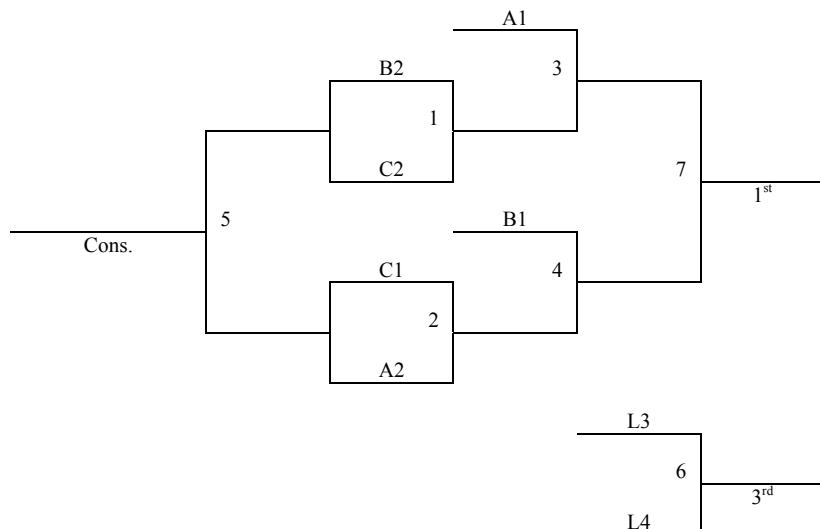
W L

Friday	Barns I	Barns II	T Crump	Navarro	W. Gvm
6:00	--	9-12	--	--	--
7:00	--	5-6	--	--	--
8:00	--	--	--	--	--
9:00	--	1-2	--	3-4	--
10:00	--	--	--	--	--

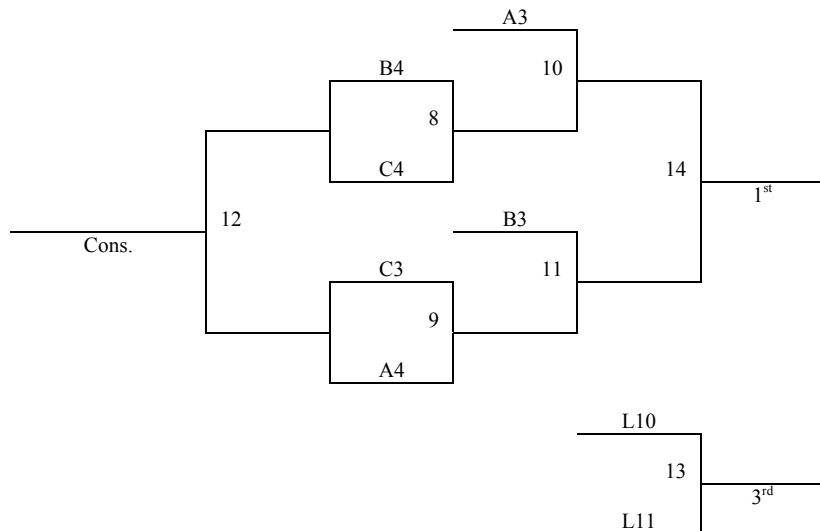
Sat					
8:00	--	--	--	9-11	--
9:00	--	--	--	7-8	--
10:00	--	--	--	10-12	--
11:00	--	--	--	--	--
12:00	--	1-3	5-7	--	10-11
1:00	--	2-4	6-8	--	--
2:00	--	--	--	--	--
3:00	--	--	--	--	--
4:00	--	--	--	--	6-7
5:00	--	1-4	--	--	11-12
6:00	--	2-3	5-8	--	--
7:00	--	--	9-10	--	--
8:00	--	--	--	G1	G8
9:00	--	--	--	G2	G9
10:00	--	--	--	--	--

Sun.					
8:00	G12	G10	--	--	--
9:00	G5	G11	--	--	--
10:00	--	--	--	--	--
11:00	--	--	--	--	--
12:00	--	--	--	--	--
1:00	G3	--	G13	--	--
2:00	G4	--	G14	--	--
3:00	--	--	--	--	--
4:00	G7	G6	--	--	--

Bracket A



Bracket B



JUNETEENTH EXTRAVAGANZA GYM DIRECTIONS

San Marcos Gyms:

MILLER MIDDLE SCHOOL

From **Austin** take exit 202 and take a right on Wonder World Dr. Take a left on Hopkins St. Take Hopkins to Fox Trail road and take a right. The school is on the left side.

From **San Antonio** take exit 202 and take a left on Wonder World Dr. Take a left on Hopkins St. Take Hopkins to Fox Trail road and take a right. The school is on the left side.

Navarro High School 6450 N State Highway 123, South of Geronimo, TX:

From the North or South on I-35, get off on exit 204. Turn Left onto TX-123 S / TX-82 Loop S. Continue to follow TX-123 S. You will pass San Marcos High School. (Geronimo is 15 minutes away) End at Navarro High School 6450 N State Highway 123.

SEGUIN GYM DIRECTIONS

GYM DIRECTIONS TO SEGUIN HIGH SCHOOL GOLDIE, WEST GYM AND TOM CRUMP GYMS, BRIESEMEISTER, BARNS AND SAGERT SCHOOLS

- From IH 10 (West [San Antonio] or East [Houston]) Take Exit 610 (Hwy TX-123 Bypass going South)
- Turn Right onto Cedar St. (which will be 2nd light from IH 10 – approx. 1.7 miles)
- **Goldie Harris Complex will be Eastside of football field**
- **Tom Crump Gym will be Westside of football field**
- **West Gym is next to Tom Crump gym**
- From San Marcos (Hwy TX-123) go South on 123
- When you get into Seguin stay on 123 bypass (will be the left-hand lane) do not go onto Business 123 (right-hand lane)
- Turn Right onto Cedar St. (which will be 2nd light from IH 10 – approx. 1.7 miles)
- From New Braunfels- Go South on Hwy 46 to IH10 and go East
- Take Exit 610 (Hwy TX-123 Bypass) and go South
- Turn right onto Cedar St. (which will be 2nd light from IH 10 – approx. 1.7 miles)

JIM BARNES MIDDLE SCHOOL

FROM IH 10 (WEST [SAN ANTONIO] OR EAST [HOUSTON]) TAKE EXIT 610 (HWY TX-123 BYPASS GOING SOUTH)

TURN LEFT ON JOE CARRILLO BLVD. (WILL BE APROX. 3 MILES FROM IH10) WILL GO THROUGH 5 STOP LIGHTS ON THE BYPASS

WILL PASS A WAL-MART ON THE RIGHT-HAND SIDE AND WHEN YOU SEE THE CASA RIO RESTAURANT AND SOCIAL SECURITY OFFICE ON THE LEFT-HAND SIDE TAKE THE LEFT. BARNES WILL BE BEHIND THE KOENNECKE ELEMENTARY SCHOOL

FROM SAN MARCOS (HWY TX-123) GO SOUTH ON 123

• WHEN YOU GET INTO SEGUIN STAY ON 123 BYPASS (WILL BE THE LEFT-HAND LANE) DO NOT

GO ONTO BUSINESS 123 (RIGHT-HAND LANE)

• TURN LEFT ON JOE CARRILLO BLVD. (WILL BE APROX. 3 MILES FROM IH10)

WILL GO THROUGH 5 STOP LIGHTS ON THE BYPASS

WILL PASS A WAL-MART ON THE RIGHT-HAND SIDE AND WHEN YOU SEE THE CASA RIO RESTAURANT AND SOCIAL SECURITY OFFICE ON THE LEFT-HAND SIDE TAKE THE LEFT. BARNES WILL BE BEHIND THE KOENNECKE ELEMENTARY SCHOOL

FROM NEW BRAUNFELS- GO SOUTH ON HWY 46 TO IH10 AND GO EAST

• TAKE EXIT 610 (HWY TX-123 BYPASS) AND GO SOUTH

• TURN LEFT ON JOE CARRILLO BLVD. (WILL BE APROX. 3 MILES FROM IH10)

WILL GO THROUGH 5 STOP LIGHTS ON THE BYPASS

WILL PASS A WAL-MART ON THE RIGHT-HAND SIDE AND WHEN YOU SEE THE CASA RIO RESTAURANT AND SOCIAL SECURITY OFFICE ON THE LEFT HAND SIDE TAKE THE LEFT. BARNES WILL BE BEHIND THE KOENNECKE ELEMENTARY SCHOOL

AJ BRIESEMEISTER MIDDLE SCHOOL

FROM AUSTIN:

35-S TO SAN MARCOS EXIT SEGUIN 123

ONCE IN SEGUIN – TAKE RIGHT ONTO I-10W (CHILI’S ON LEFT)

EXIT #607 APPROX 2.5 MI.

LEFT AT STOP SIGN TO TX 46-S

LEFT AT STOP LIGHT ONTO TX 46-S

GO TO 2ND STOP LIGHT APPROX. 1 MI. TO WEST COURT

GO RIGHT

AJB- MS ON RIGHT

FROM HOUSTON:

TAKE I-10W TO SEGUIN

EXIT # 607

LEFT AT STOP SIGN TO TX 46-S

LEFT AT STOP LIGHT ONTO TX 46-S

GO TO 2ND STOP LIGHT APPROX. 1 MI. TO WEST COURT

GO RIGHT

AJB- MS ON RIGHT

FROM SAN ANTONIO:

TAKE I-10E TO SEGUIN

EXIT # 607

GO RIGHT ON TX 46-S

GO TO 2ND STOP LIGHT APPROX. 1 MI. TO WEST COURT

GO RIGHT

AJB- MS ON RIGHT

JOE F SAEGERT 6TH GRADE CENTER

FROM AUSTIN:

35-S TO SAN MARCOS EXIT SEGUIN 123
ONCE IN SEGUIN – TAKE RIGHT ONTO I-10W (CHILI’S ON LEFT)
EXIT #607 APPROX 2.5 MI.
LEFT AT STOP SIGN TO TX 46-S
LEFT AT STOP LIGHT ONTO TX 46-S
GO TO 2ND STOP LIGHT APPROX. 1 MI. TO WEST COURT
TAKE LEFT AT LIGHT- W. COURT
LEFT ON GOODRICH (NEXT TO CHURCH’S CHICKEN)
FIRST STOP SIGN ON MOUNTAIN GYM IS ON THE RIGHT
HOME OF SAEGERT TOREADORS

FROM HOUSTON:

TAKE I-10W TO SEGUIN
EXIT # 607
LEFT AT STOP SIGN TO TX 46-S
LEFT AT STOP LIGHT ONTO TX 46-S
GO TO 2ND STOP LIGHT APPROX. 1 MI. TO WEST COURT
TAKE LEFT AT LIGHT- W. COURT
LEFT ON GOODRICH (NEXT TO CHURCH’S CHICKEN)
FIRST STOP SIGN ON MOUNTAIN GYM IS ON THE RIGHT

FROM SAN ANTONIO:

TAKE I-10E TO SEGUIN
EXIT # 607
GO RIGHT ON TX 46-S
GO TO 2ND STOP LIGHT APPROX. 1 MI. TO WEST COURT
TAKE LEFT AT LIGHT- W. COURT
LEFT ON GOODRICH (NEXT TO CHURCH’S CHICKEN)
FIRST STOP SIGN ON MOUNTAIN GYM IS ON THE RIGHT
HOME OF SAEGERT TOREADORS

Navarro High School 6450 N State Highway 123, South of Geronimo, TX:

From the North or South on I-35, get off on exit 204. Turn Left onto TX-123 S / TX-82 Loop S. Continue to follow TX-123 S. You will pass San Marcos High School. (Geronimo is 15 minutes away) End at Navarro High School 6450 N State Highway 123.

NEW BRAUNFELS GYMS

DIRECTIONS TO MCKENNA NEW BRAUNFIT GYM – 801 W. SAN ANTONIO ST, 78130

From Austin – Take I-35 heading south into New Braunfels. Take off on exit 186 (Walnut Ave.) Make a slight left onto I-35 south and take a right on Walnut Ave. Go a little ways and make a right onto west San Antonio St.

From San Antonio – Take I-35 heading north into New Braunfels. Take off on exit 185 towards I-35 BL. (Walnut Ave.) Keep straight to go onto I-35 south and take a left on I-35 BL north. (turns into Spur Street which becomes west San Antonio St. Stay on San Antonio St. until you see New Braunfit gym.

KYLE TEXAS GYMS (HAYS GYMS)

Hays High School Graham Gym, Belles Gym and Red Gym 4800 Jack C. Hays Trail / Barton Junior High 4950 Jack C. Hays Trail:

From South (heading north) of San Marcos: I-35 north onto exit 213 (Kyle) Turn left and go over the over pass into Kyle. Go pass through 2 stop signs. The third stop sign is route 150. Turn right to the next stop sign (Jack C Hays Trail) and turn right. You will come to Barton Jr. High School first and the next school is Jack C. Hays High School. The Red gyms is between the football stadium and Hays high school court II.

From the north Exit 217. Go through the stop sign and make a right (landmark: Burger King) Go to Kohlenworth and take a right. It will take you to the high school and junior high school.

DIRECTIONS TO WALLACE MIDDLE SCHOOL

Wallace Middle School – 1500 W. Center St. Kyle, TX 78640 – Heading North on I-35 take exit 213 towards Kyle/FM 150. Merge onto I-35 frontage road. Turn left on E. Center Street. Continue on east Center to Wallace M.S.

Wallace Middle School – 1500 W. Center St. Kyle, TX 78640 – Heading South on I-35 take exit 213 towards Kyle/FM 150. Merge onto I-35 frontage road. Turn right on E. Center Street. Continue on east Center to Wallace M.S.