

DIRECTIONS TO SITES

Immaculata High School – US 73 Highway north from I-70 exit at Bonner Springs approximately 16 miles into downtown Leavenworth. You will come to 3 consecutive stoplights (Cherokee St., Delaware St. and Shawnee St.). Turn left on Shawnee St. and go 2 blocks.

From North-Take US Hwy 73 (4th street in Leavenworth) south from Hwy 92, go south to Shawnee and take a right and go 2 blocks. Immaculata H.S. is on the northwest corner of 6th & Shawnee. Enter the building at the Shawnee Street entrance.

Warren Middle School - US 73 Highway north from I-70 exit at Bonner Springs approximately 12-1/2 miles to **Eisenhower Road** and turn left. Go approximately 1-1/2 miles west to **10th Avenue** and turn right. Go north on 10th Avenue approximately 1 & 1/4 miles and turn left onto **Gatewood**.

From North-From Hwy 92 go south on 10th approx. 3-4 miles. Turn right at light at Gatewood. Parking is on the east side of building.

Leavenworth Riverfront Community Center – US 73 Highway north from I-70 exit at Bonner Springs approximately 16 miles into downtown Leavenworth. You will come to a stoplight at Cherokee St. Turn Right on Cherokee St. and go 2 blocks.

From North-Take US Hwy 73 (4th street in Leavenworth) south from Hwy 92, go south to Cherokee and take a left and go 2 blocks. Enter the building at the main entrance on the west side of the Community Center.

Basehor-Linwood High School- From South-US Hwy 73/K-7 to Parallel Rd, turn left and go west 2 miles to 155th Street. Take a right and go north on 155th approximately 1/4 mile to school. Park in south parking lot.

From North- take US Hwy 73/K-7 south to Parallel, turn right and go west 2 miles to 155th Street. Take a right and go north on 155th approximately 1/4 mile to school. Park in south parking lot.

University of Saint Mary – US 73 Highway north from the I-70 exit at Bonner Springs approximately 13 miles to the intersection of US 73 (4th St.) and Muncie Road (Danny Zeck Ford on SE corner). Turn left and go to the stop sign (Hughes Rd.). Turn right and go approximately ½ mile and turn right into the parking lot. The games are in the Ryan Sports Center above the main parking lot and McGilley Activity Center to the north.

From North-Take US Hwy 73 (4th street in Leavenworth) south from Hwy 92 to Limit Street (Walgreens on SW corner) take a right on Limit one block then left on Hughes. Go south on Hughes approx. 1 mile and take a left into parking lot below Ryan Sports Center.

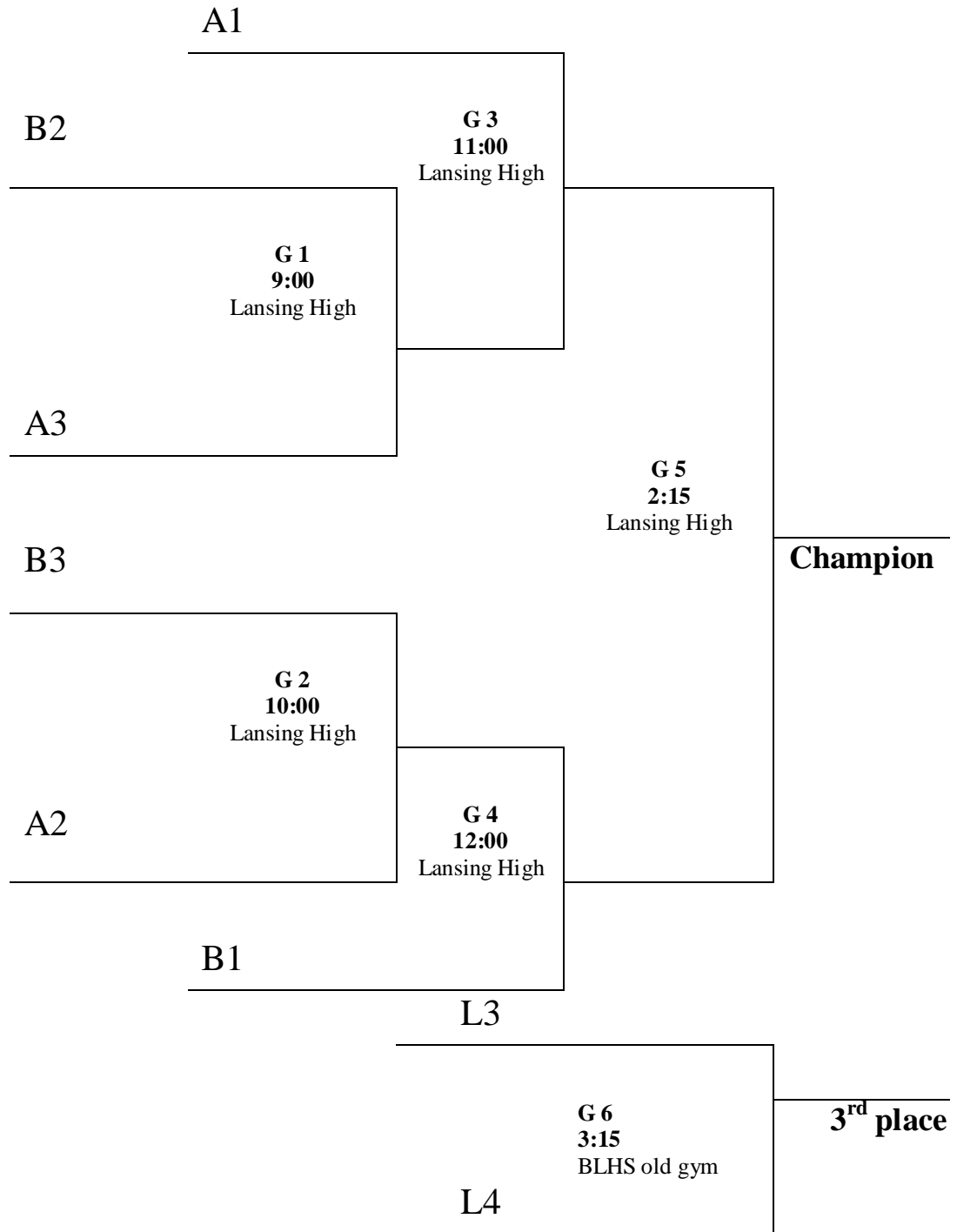
Lansing High School –*From South*- US 73 Highway north from I-70 exit at Bonner Springs approximately 9-1/2 miles into Lansing. Turn right on Olive St. (Petro Deli on SE corner) and go 2 blocks.

From North-Take US Hwy 73 (4th street in Leavenworth) south from Hwy 92 through Leavenworth & Lansing and take a left at Olive St. To get to the high school, turn left at the football field. Go ½ block and turn right into the parking lot.

West Middle School - US 73 Highway north from I-70 exit at Bonner Springs approximately 12-1/2 miles to Eisenhower Road and turn left. Go approximately 2 miles west to 20th Expressway and turn right. Go north on 20th for 3 miles to the second stoplight, which is Spruce, and turn right. The school is on the hill to the south. Park in the lot and walk down the ramp on the west to the gym entrance.

From North-Take US Hwy 73 (4th street in Leavenworth) south from Hwy 92 through downtown Leavenworth to Spruce St. Take a right at the stoplight and go west on Spruce. You will see West Middle on the top of the hill to the south. Go up the hill into the parking lot. The gym entrance is on the west side, down the ramp.

11th & 12th Grade Girls Division 1 Tournament
All games played Sunday
Top 3 from each pool

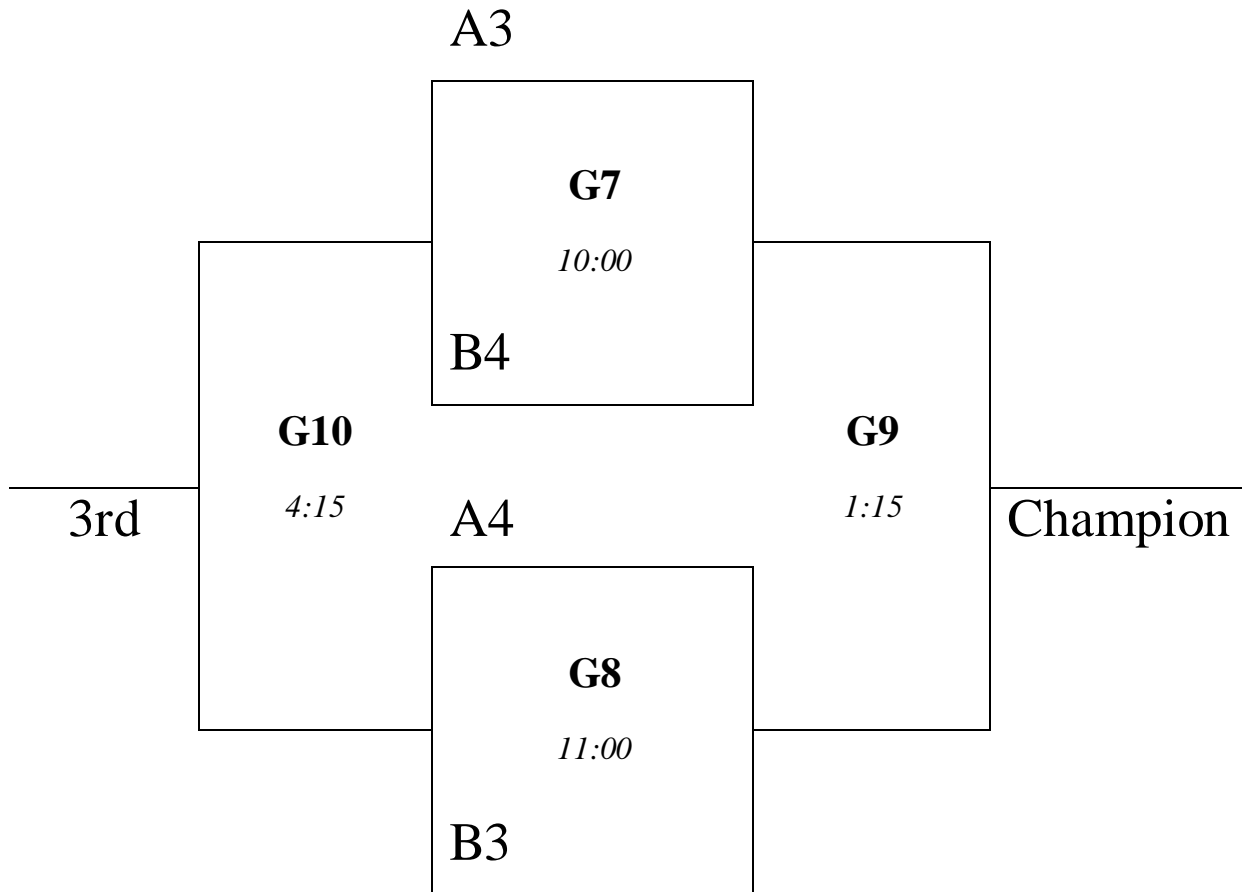


11th & 12th Grade Girls Tournament

All games on Sunday at Basehor-Linwood High

Division 2

Bottom 2 from each pool



5th & 6th Grade Boys

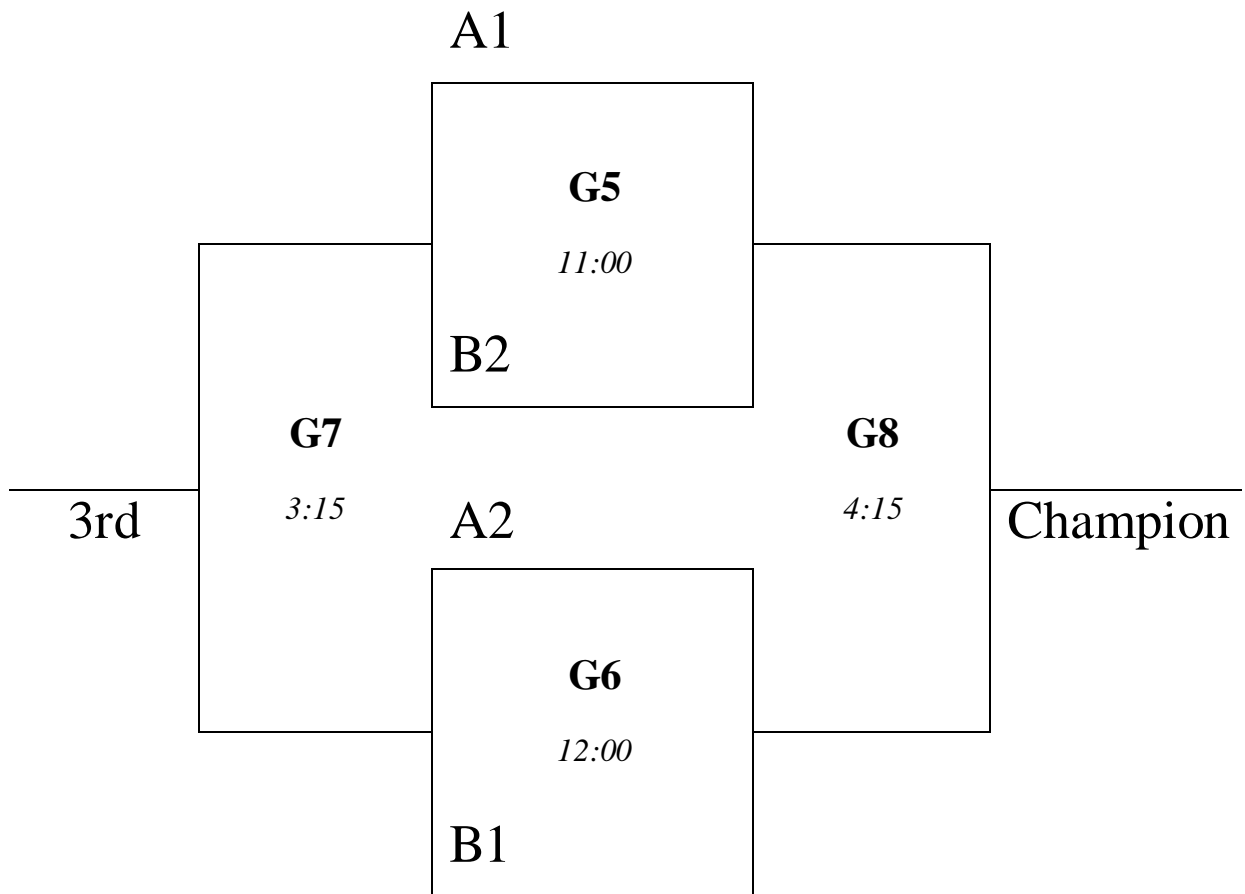
Fri. 6/4	USM McGilley 1	USM McGilley 2								<u>Teams</u>
6:00										<u>Pool A</u>
7:00										1-Louisburg Wildcats
8:00										3-KC Timberwolves
9:00										6-Sabetha Bluejays
Sat. 6/5										7-BL Bobcats
8:00	-----	-----								
9:00	-----	-----								<u>Pool B</u>
10:00	1-6	3-7								2-Team Beatrice
11:00	2-4	-----								4-JC Hoops
12:00	5-8	1-3								5-Louisburg Wildcats Purple
1:15	6-7	-----								8-Spring Hill Mavericks
2:15	2-5	4-8								
3:15	-----	-----								G=Game #
4:15	1-7	3-6								D1= Division 1 Tournament
5:15	2-8	4-5								D2=Division 2 Tournament
6:30	-----	-----								
7:30	-----	-----								USM- University of Saint Mary
8:30	-----	-----								McGilley Activity Center
Sun. 6/6										
8:00	-----									
9:00	D2 G1									
10:00	D2 G2									
11:00	D1 G5									
12:00	D1 G6									
1:15	D2 G3									Tie Breaker System
2:15	D2 G4									1. Overall record
3:15	D1 G7									2. Head to Head
4:15	D1 G8									3. Win margin (15pt max)
5:15	-----									4. Back to Head to Head

5th & 6th Grade Boys Tournament

All games on Sunday at McGilley Activity Center at USM Court 1

Division 1

Top 2 from each pool

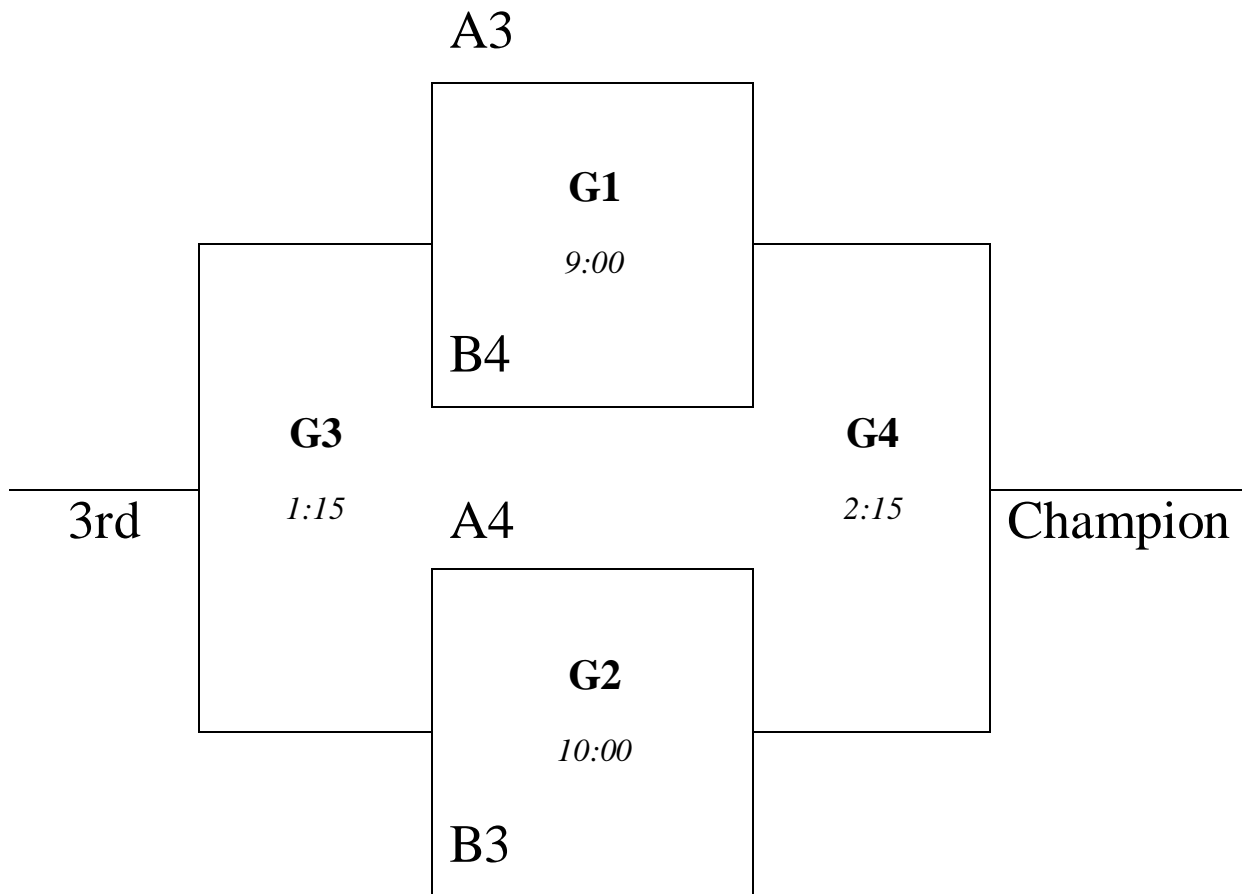


5th & 6th Grade Boys Tournament

All games on Sunday at McGilley Activity Center at USM Court 1

Division 2

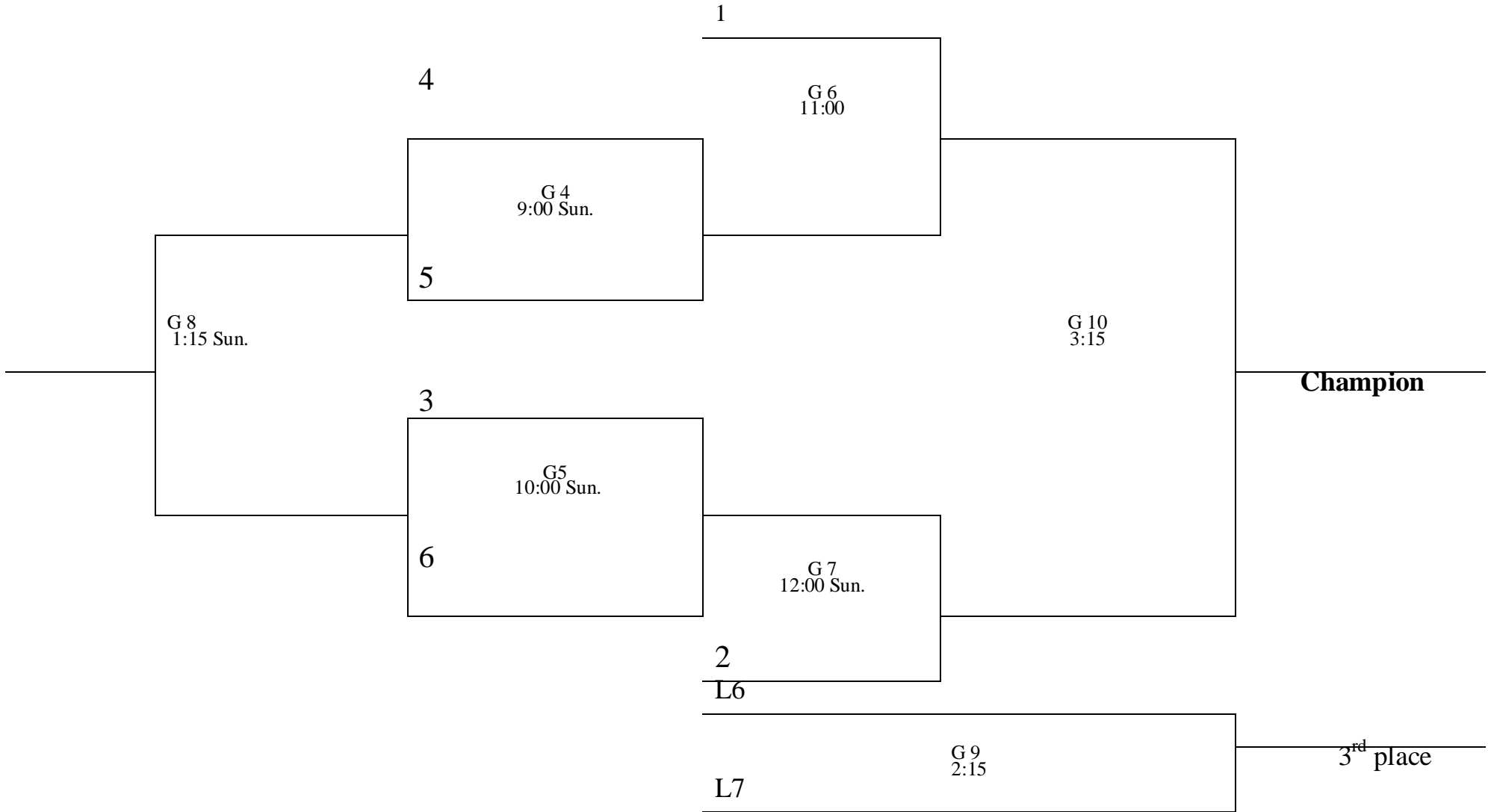
Bottom 2 from each pool



5th & 6TH Grade Girls Tournament

Seeding games on Saturday, Bracket games on Sunday at McGilley Activity Center #2

G1- A1 vs. B1 Sat. 8:30pm Warren Middle winner is #1 seed, loser is #2 seed
 G2-A2 vs. B2 Sat. 8:30pm USM McGilley Activity Center winner is #3 seed, loser is #4 seed
 G3-A3 vs. B3 Sat. 8:30pm USM McGilley Activity Center winner is #5 seed, loser is #6 seed



7th Grade Boys

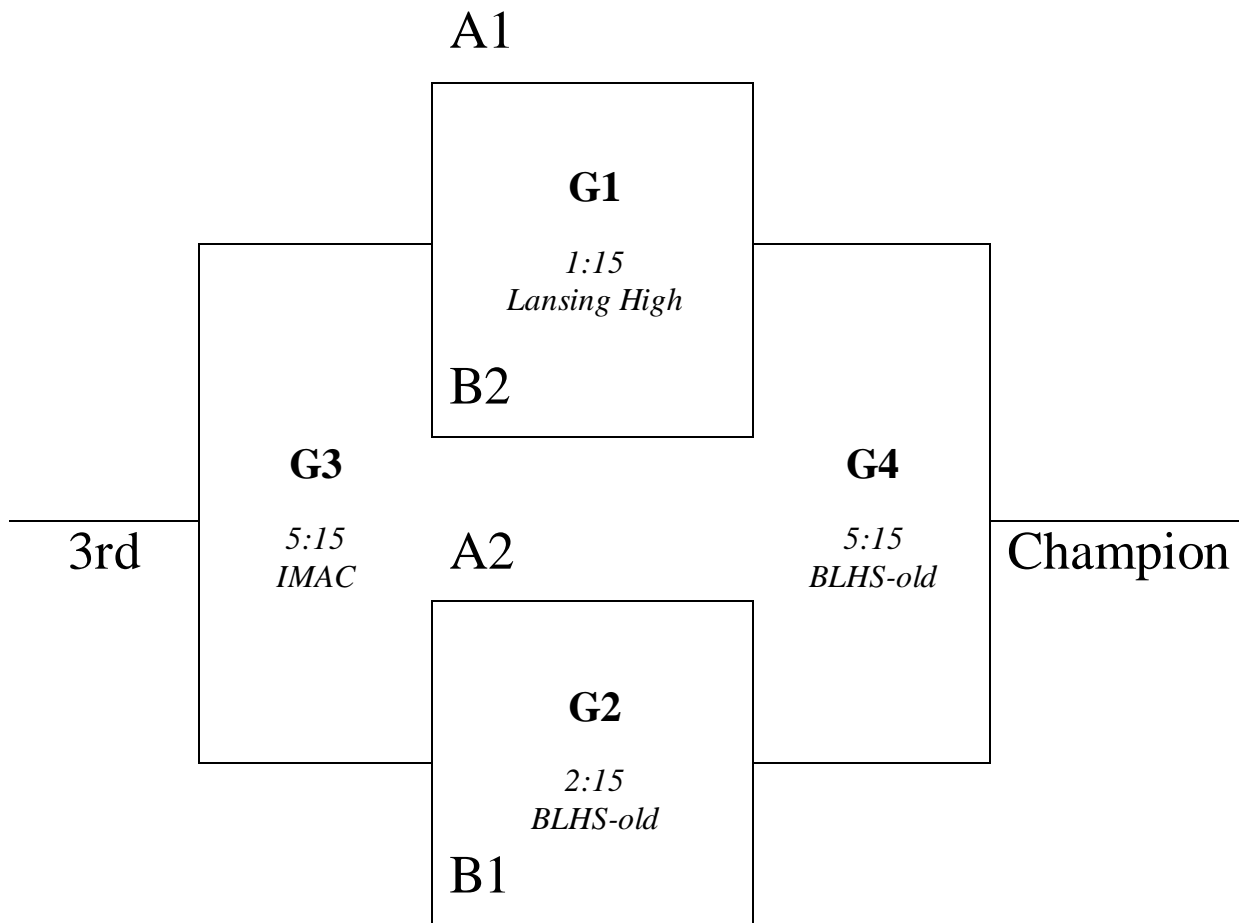
Fri. 6/4	RCC	Warren Middle	West Middle	USM McGilley 1	USM McGilley 2	BLHS old gym	Imac High	Lansing High			<u>Teams</u>
6:00		----				----					<u>Pool A</u>
7:00		----				----					11-Pumas MO
8:00		12-13				----					12-Lansing Raptors
9:00		----				11-15					13-Louisburg Wildcats
Sat. 6/5											15-BL Bobcats
8:00	----	----	----	----	----						
9:00	----	----	----	----	----						<u>Pool B</u>
10:00	----	----	10-16	----	----						9-Louisburg Wildcats White
11:00	9-14	----	----	----	----						10-Lawrence Falcons
12:00	----	----	12-15	----	----						14-Team Beatrice
1:15	----	----	----	----	----						16-Kansas Cagers
2:15	----	----	----	----	----						
3:15	----	11-13	----	----	----						G=Game #
4:15	----	14-16	----	----	----						D1= Division 1 Tournament
5:15	11-12	----	9-10	----	----						D2=Division 2 Tournament
6:30	----	----	13-15	----	----						
7:30	----	----	----	9-16	10-14						RCC-Riverfront Community Ctr
8:30	----	----	----	----	----						USM- University of Saint Mary
Sun. 6/6											McGilley Activity Center
8:00						----	-----	----			BLHS Old-Basehor Linwood High
9:00						----	----	----			
10:00						----	----	----			
11:00						----	----	----			
12:00						----	D2 G5	----			
1:15						----	D2 G6	D1 G1			Tie Breaker System
2:15						D1 G2	----	----			1. Overall record
3:15						----	----	----			2. Head to Head
4:15						----	----	----			3. Win margin (15pt max)
5:15				D2 G7	D2 G8	D1 G4	D1 G3	----			4. Back to Head to Head

7th Grade Boys Tournament

All games on Sunday

Division 1

Top 2 from each pool



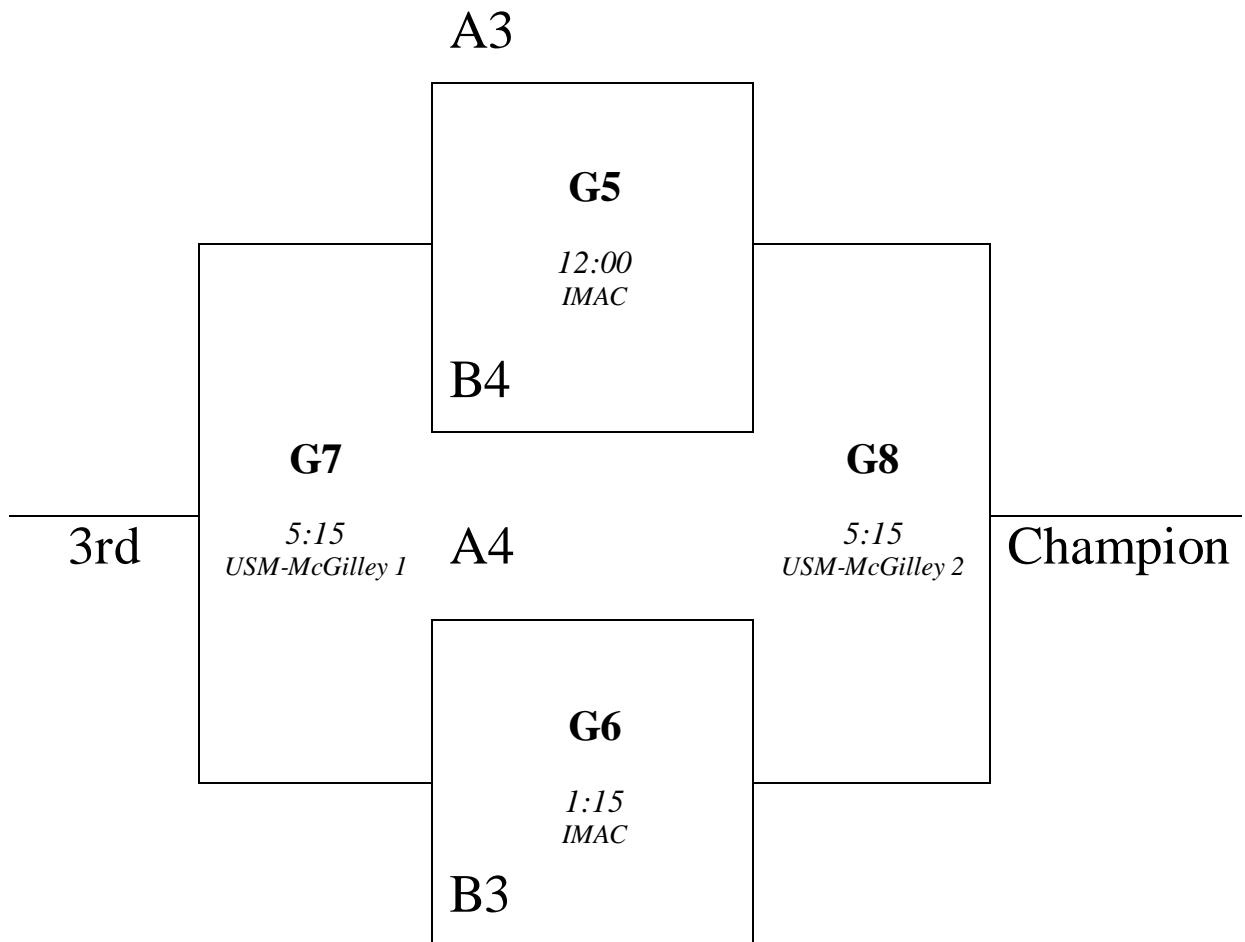
IMAC-Immaculata High School
BLHS-Basehor-Linwood High School

7th Grade Boys Tournament

All games on Sunday

Division 2

Bottom 2 from each pool



IMAC-Immaculata High School
USM- University of Saint Mary McGilley Activity Center

7th Grade Girls

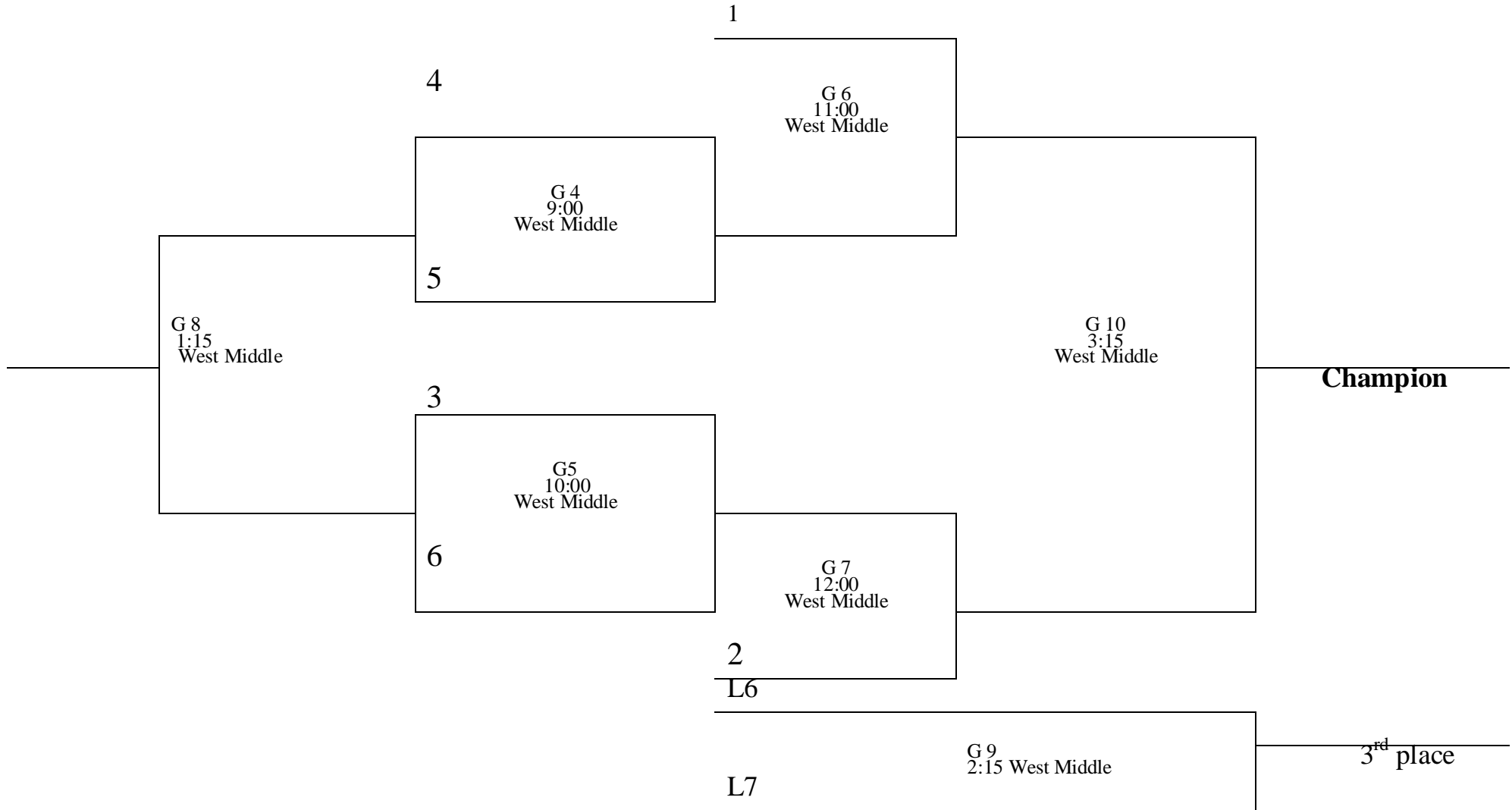
Fri. 6/4	IMAC	West Middle	USM McGilley 1	USM McGilley 2	BLHS Old gym						<u>Teams</u>
6:00	57-60										<u>Pool A</u>
7:00	-----										55-MO Valley Blazers
8:00	55-57										57-St. Joe Tarheels
9:00	-----										60-BL Ladycats
Sat. 6/5											
8:00		-----	-----	-----	-----						<u>Pool B</u>
9:00		-----	-----	56-58	-----						56-KC & One
10:00		-----	-----	-----	-----						58-Effingham
11:00		55-60	-----	56-59	-----						59-Independence Lady Bears
12:00		-----	-----	-----	-----						
1:15		-----	-----	58-59	-----						G=Game #
2:15		-----	-----	-----	-----						
3:15		-----	G1 A1-B1	G2 A2-B2	-----						IMAC-Immaculata High School
4:15		-----	-----	-----	G3 A3-B3						USM- University of Saint Mary
5:15		-----	-----	-----	-----						McGilley Activity Center
6:30		-----	-----	-----	-----						BLHS old-Basehor Linwood High
7:30		-----	-----	-----	-----						
8:30		-----	-----	-----	-----						
Sun. 6/6											
8:00		-----									
9:00		G4									
10:00		G5									
11:00		G6									
12:00		G7									
1:15		G8									Tie Breaker System
2:15		G9									1. Overall record
3:15		G10									2. Head to Head
4:15											3. Win margin (15pt max)
5:15											4. Back to Head to Head

7th Grade Girls Tournament

Seeding games on Saturday, Bracket games on Sunday

G1- A1 vs. B1 Sat. 3:15pm USM McGilley 1
 G2-A2 vs. B2 Sat. 3:15pm USM McGilley 2
 G3-A3 vs. B3 Sat. 4:15pm BLHS - old gym

winner is #1 seed, loser is #2 seed
 winner is #3 seed, loser is #4 seed
 winner is #5 seed, loser is #6 seed



8th Grade Boys- Revised 6/3

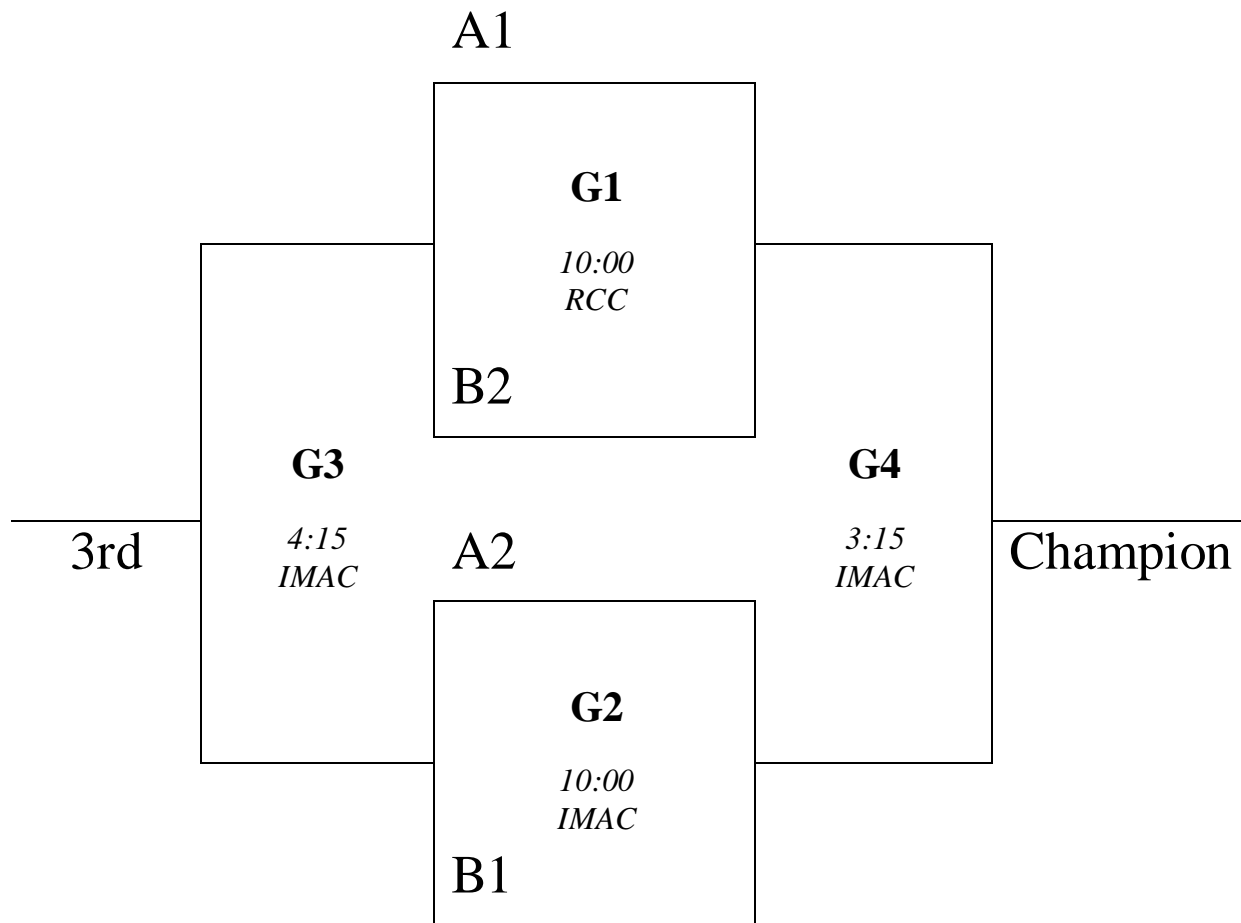
Fri. 6/4	BLHS old gym	Warren Middle	RCC	IMAC							<u>Teams</u>
6:00	17-21										<u>POOL A</u>
7:00	18-22										17-BL Bobcats
8:00	-----										20-T-Horns KS
9:00	-----										21-KC And One
Sat. 6/5											23-Louisburg Wildcats
8:00	-----	-----									
9:00	19-24	-----									<u>POOL B</u>
10:00	20-23	-----									18-Pumas MO
11:00	19-22	-----									19-Super Shooters KS
12:00	17-23	-----									22-Lansing Lions
1:15	18-24	-----									24-Spring Hill Broncos
2:15	17-20	-----									
3:15	18-19	-----									G=Game #
4:15	-----	-----									D1= Division 1 Tournament
5:15	21-23	22-24									D2=Division 2 Tournament
6:30	-----	-----									
7:30	-----	-----									
8:30	20-21	-----									BLHS -Basehor-Linwood High
Sun. 6/6											IMAC-Immaculata High School
8:00			-----	-----							RCC-Riverfront Community Ctr
9:00			D2 G5	D2 G6							
10:00			D1 G1	D1 G2							
11:00			-----	----							
12:00			-----	-----							
1:15			-----	-----							Tie Breaker System
2:15			D2 G8	D2 G7							1. Overall record
3:15			-----	D1 G4							2. Head to Head
4:15			-----	D1 G3							3. Win margin (15pt max)
5:15			-----	-----							4. Back to Head to Head

8th Grade Boys Tournament

All games on Sunday

Division 1

Top 2 from each pool



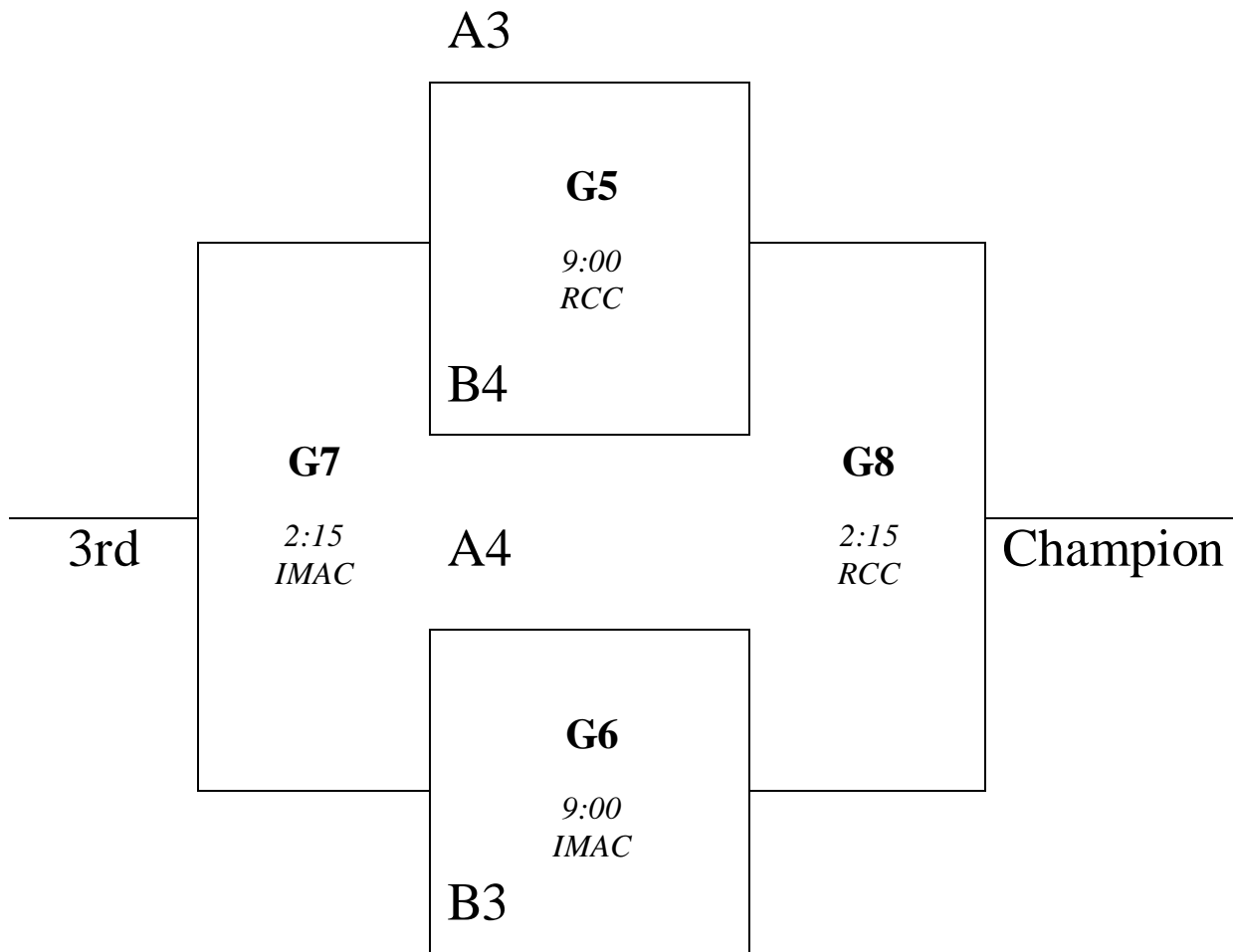
RCC-Leavenworth Riverfront Community Center
IMAC-Immaculata High School

8th Grade Boys Tournament

All games on Sunday

Division 2

Bottom 2 from each pool



RCC-Leavenworth Riverfront Community Center
IMAC-Immaculata High School

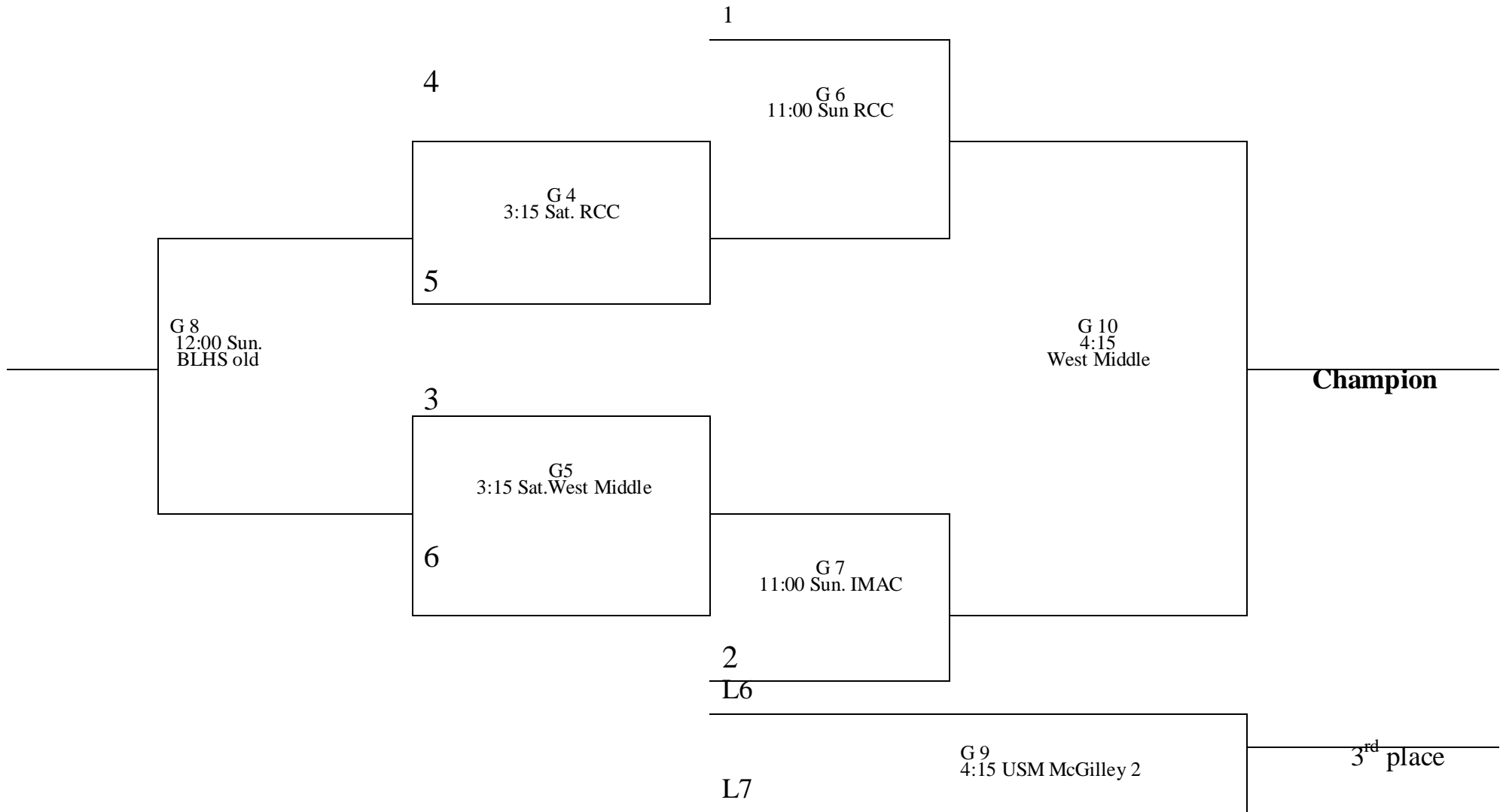
7th & 8th Grade Girls

Fri. 6/4	RCC	West Middle	BLHS Old gym	IMAC	USM McGilley						<u>Teams</u>
6:00		63-64									<u>POOL A</u>
7:00		65-66									61-Louisburg Wildcats
8:00		62-63									65-Topeka Lady Panthers
9:00		61-66									66-BL Ladycats Gold
Sat. 6/5					McGilley 1						
8:00	----	----									<u>POOL B</u>
9:00	----	61-65			62-64						62-KC Swoosh
10:00	----	----									63-Blue Bomberz MO
11:00	----	----									64-NEK Stars
12:00	G2 A2-B2	----									
1:15	G3 A3-B3	----									G=Game #
2:15	G1 A1-B1	----									
3:15	G4	G5									BLHS old-Basehor Linwood high
4:15	----	----									RCC-Riverfront Community Ctr
5:15	----	----									USM- University of Saint Mary
6:30	----	----									McGilley Activity Center
7:30	----	----									IMAC-Immaculata High School
8:30	----	----									
Sun. 6/6					McGilley 2						
8:00	----	----	----	----	----						
9:00	----	----	----	----	----						
10:00	----	----	----	----	----						
11:00	G6	----	----	G7	----						
12:00	----	----	G8	----	----						
1:15	----	----	----	----	----						Tie Breaker System
2:15	----	----	----	----	----						1. Overall record
3:15	----	----	----	----	----						2. Head to Head
4:15	----	G10	----	----	G9						3. Win margin (15pt max)
5:15	----	----	----	----	----						4. Back to Head to Head

7th & 8TH Grade Girls Tournament

Seeding games on Saturday, Bracket games on Saturday & Sunday

G1- A1 vs. B1	Sat. 2:15pm	Riverfront Community Center	winner is #1 seed, loser is #2 seed
G2-A2 vs. B2	Sat. 12:00pm	Riverfront Community Center	winner is #3 seed, loser is #4 seed
G3-A3 vs. B3	Sat. 1:15pm	Riverfront Community Center	winner is #5 seed, loser is #6 seed

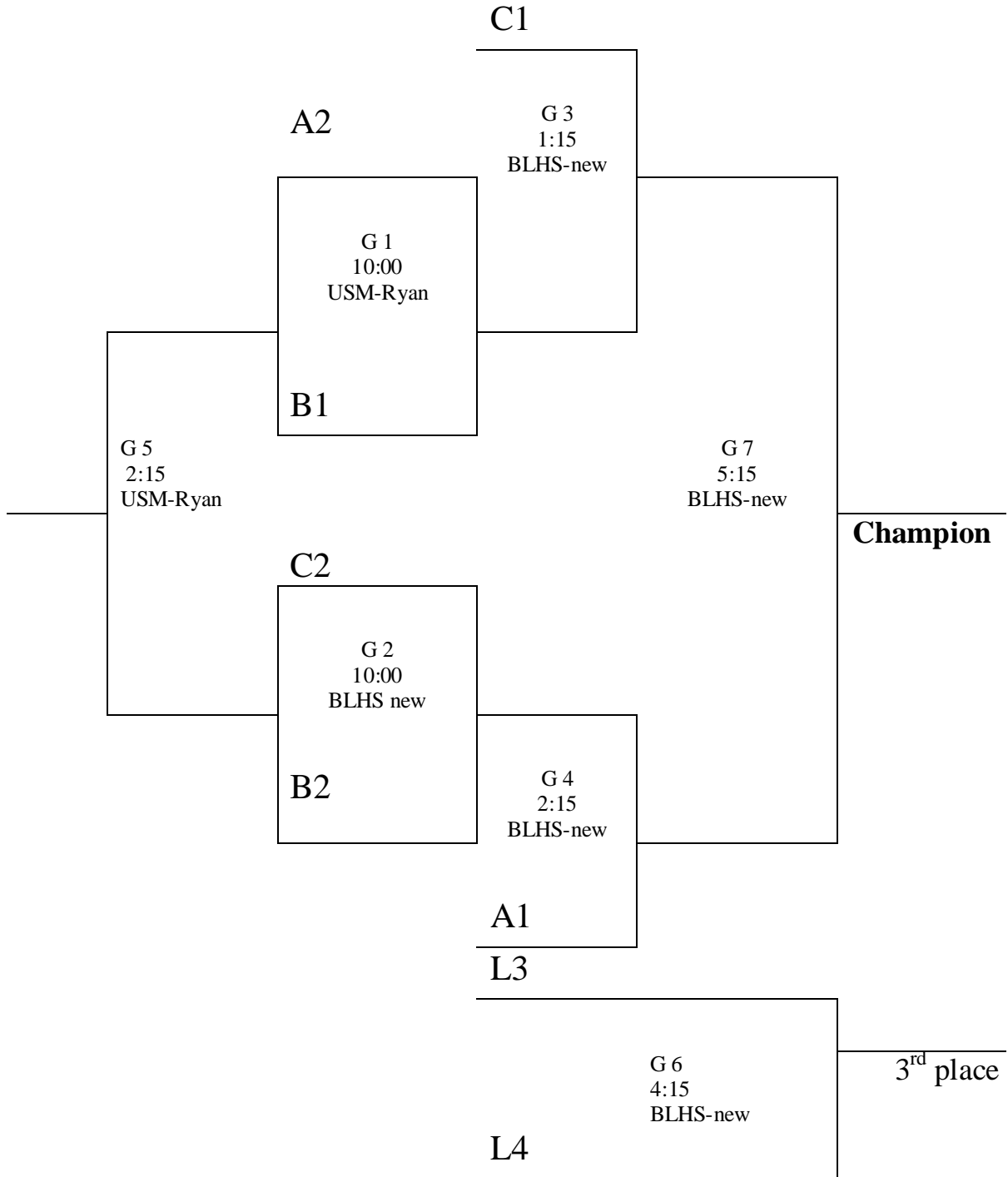


RCC-Leavenworth Riverfront Community Center, BLHS-Basehor-Linwood High School, USM-University of Saint Mary MCGilley Activity Center, IMAC-Immaculata High

9th & 10th Grade Boys

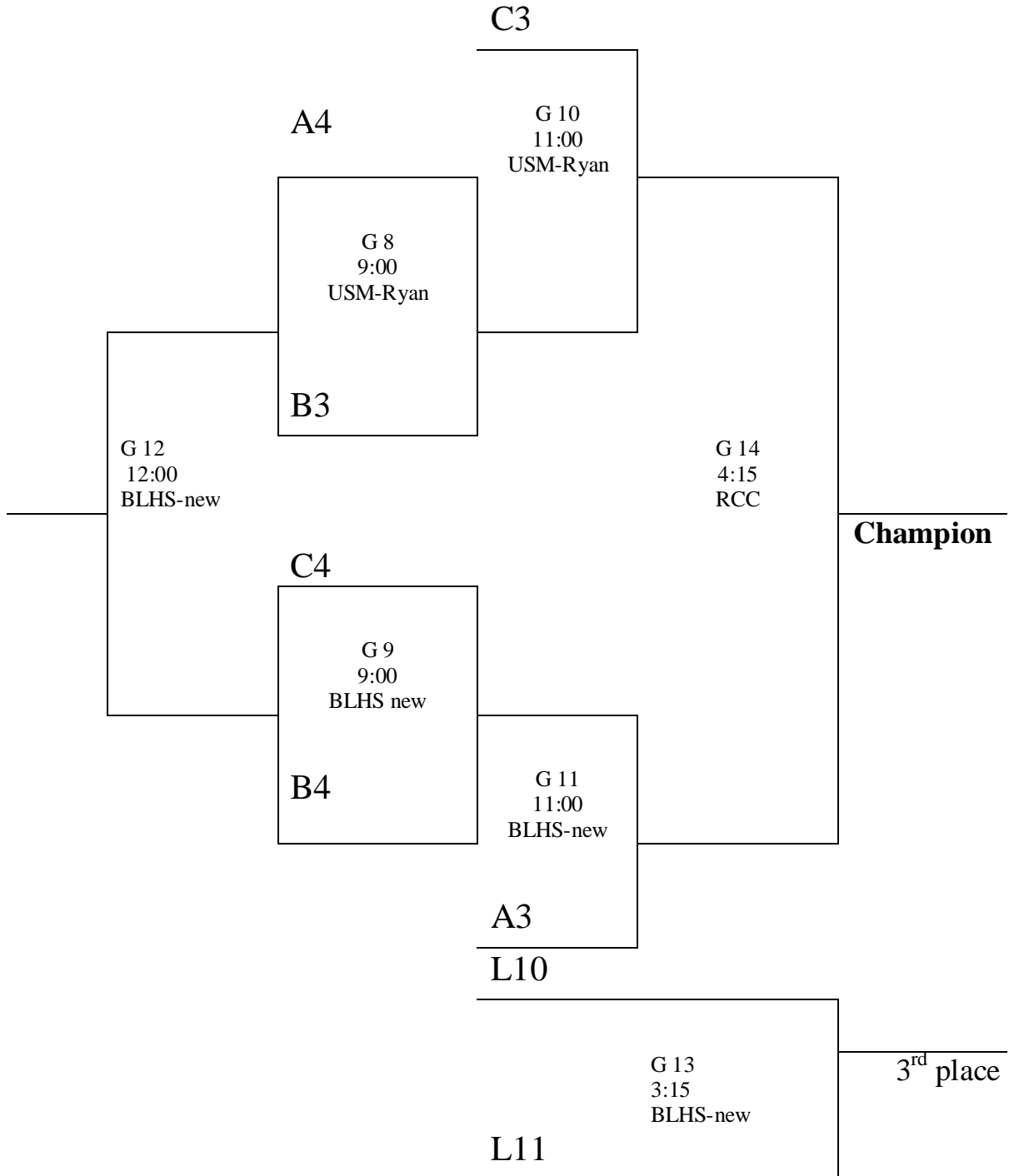
Fri. 6/4	BLHS New gym	BLHS Old gym	RCC	Lansing High	USM Ryan Cntr.								<u>Teams</u>
6:00	27-32												<u>POOL A</u>
7:00	25-30												25-McLouth Bulldogs
8:00	26-33												30-Hoops and One KS
9:00	31-36												31-KS Panthers
Sat. 6/5													36-Louisburg White
8:00	-----	-----	-----	-----									
9:00	27-34	-----	28-32	-----									<u>POOL B</u>
10:00	26-29	-----	-----	-----									26-BL Bobcats
11:00	33-35	-----	-----	-----									29-Those Guys NE
12:00	28-34	-----	-----	-----									33-Mavericks KS
1:15	29-33	-----	-----	-----									35-Jefferson Co. North
2:15	25-36	-----	-----	-----									<u>Pool C</u>
3:15	27-28	-----	-----	32-34									27-Pumas MO
4:15	30-31	----	-----	-----									28-Atchison
5:15	29-35	-----	-----	-----									32-Lansing Lions
6:30	-----	30-36	-----	-----									34-Team Beatrice NE
7:30	26-35	25-31	-----	-----									G=Game #
8:30	-----	-----	-----	-----									D1= Division 1 Tournament
Sun. 6/6													D2=Division 2 Tournament
8:00	-----				-----								BLHS new-Basehor Linwood high
9:00	D2 G9				D2 G8								BLHS old-Basehor Linwood high
10:00	D1 G2				D1 G1								RCC-Riverfront Community Ctr
11:00	D2 G11				D2 G10								USM- University of Saint Mary
12:00	D2 G12				-----								McGilley Sport Center
1:15	D1 G3				-----								Tie Breaker System
2:15	D1 G4				D1 G5								1. Overall record
3:15	D2 G13				-----								2. Head to Head
4:15	D1 G6		D2 G14		-----								3. Win margin (15pt max)
5:15	D1 G7				-----								4. Back to Head to Head

9th & 10TH Grade Boys Division 1 Tournament
All games played Sunday
Top 2 from each pool



USM-University of Saint Mary, Ryan Sport Center
 BLHS-Basehor-Linwood High

9th & 10TH Grade Boys Division 2 Tournament
All games played Sunday
Bottom 2 from each pool



USM-University of Saint Mary, Ryan Sport Center
 BLHS-Basehor-Linwood High
 RCC-Leavenworth Riverfront Community Center

9th & 10th Grade Girls

Fri. 6/4	Warren Middle	RCC	West Middle	Lansing High																<u>Teams</u>		
6:00																					<u>POOL A</u>	
7:00																					67-Burlington Red Rockets	
8:00																					70-Mystics KS	
9:00																					71-Eudora Cardinals	
Sat. 6/5																						<u>POOL B</u>
8:00	----	----	----																			<u>POOL B</u>
9:00	----	----	----																			68-Fastbreak KS
10:00	68-72	67-71	----																			69-Lansing Lions
11:00	----	----	----																			72-Eudora 2
12:00	69-72	----	----																			
1:15	67-70	----	----																			G=Game #
2:15	----	----	68-69																			
3:15	----	----	----																			RCC-Riverfront Community Ctr
4:15	----	70-71	----																			
5:15	----	----	----																			
6:30	G1 A1-B1	G2 A2-B2	----																			
7:30	----	----	G3 A3-B3																			
8:30	----	----	----																			
Sun. 6/6																						
8:00	----	----		----																		
9:00	G4	----		----																		
10:00	G5	----		----																		
11:00	G6	----		----																		
12:00	----	G7		----																		
1:15	----	G8		----																		Tie Breaker System
2:15	G9	----		----																		1. Overall record
3:15	----	----		----																		2. Head to Head
4:15	----	----		G10																		3. Win margin (15pt max)
5:15	----	----		----																		4. Back to Head to Head

9th & 10TH Grade Girls Tournament

Seeding games on Saturday, Bracket games on Sunday

G1- A1 vs. B1 Sat. 6:30pm Warren Middle

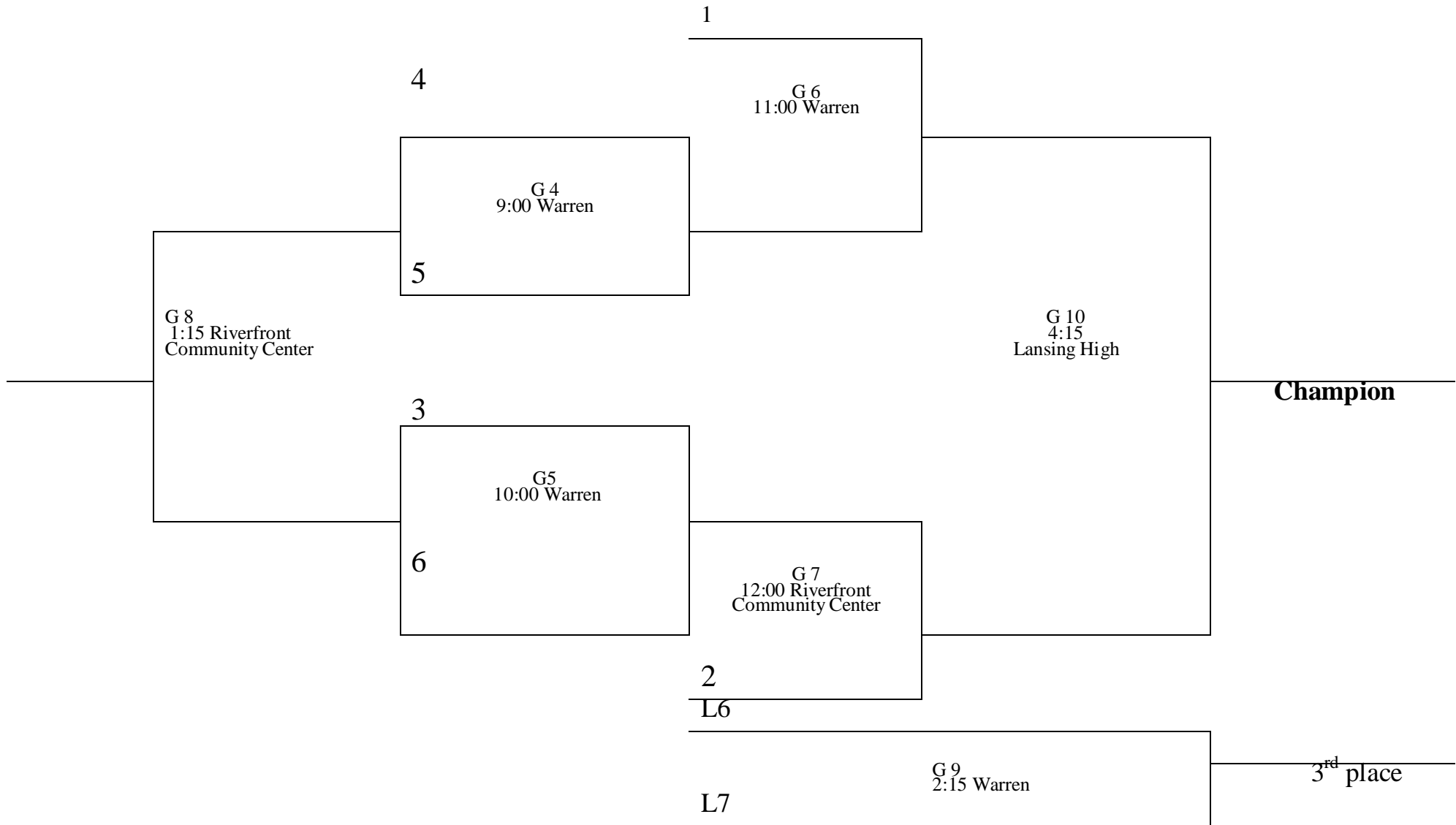
G2-A2 vs. B2 Sat. 6:30pm Riverfront Community Center

G3-A3 vs. B3 Sat. 7:30pm West Middle

winner is #1 seed, loser is #2 seed

winner is #3 seed, loser is #4 seed

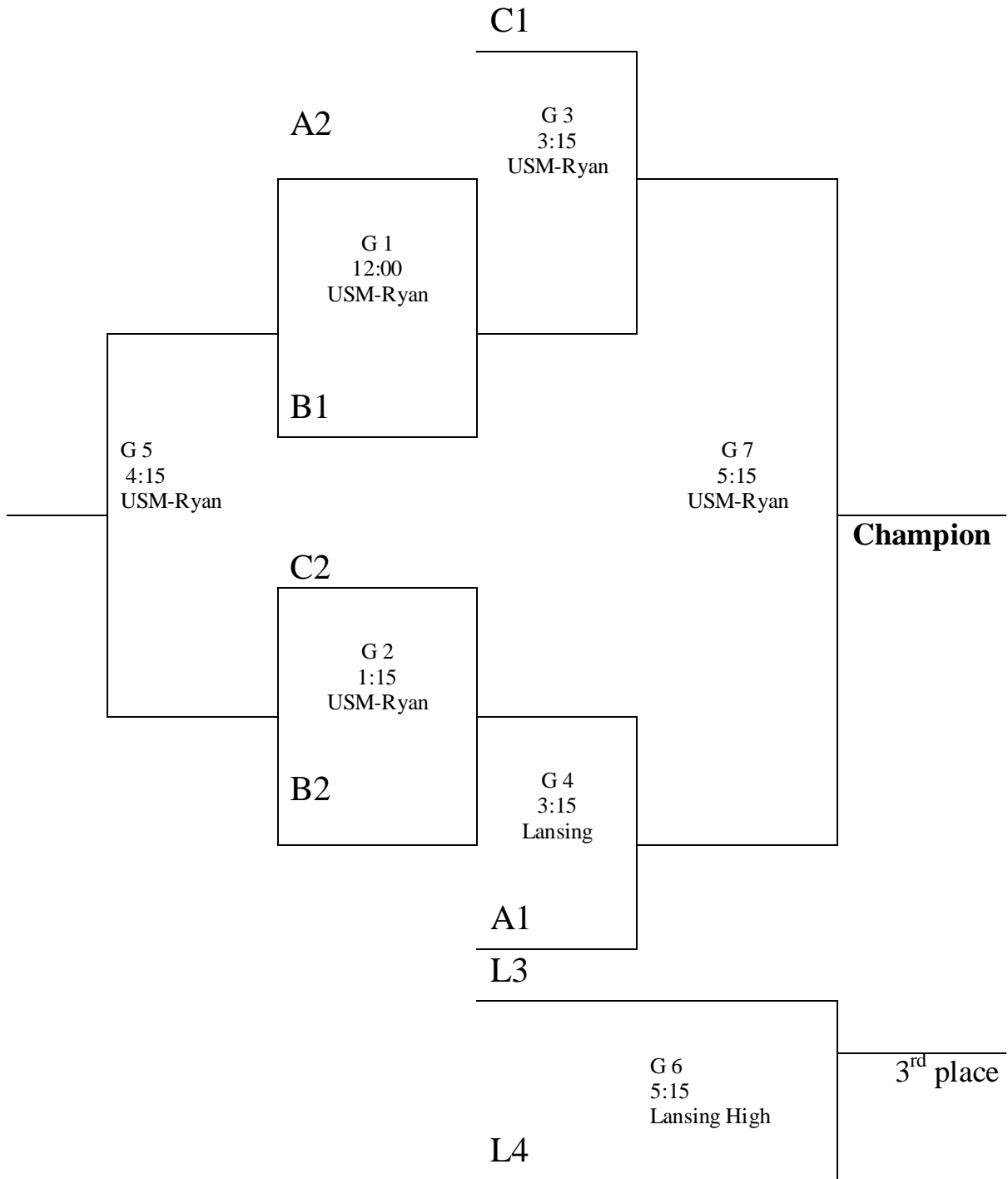
winner is #5 seed, loser is #6 seed



11th & 12th Grade Boys

Fri. 6/4	USM Ryan Cntr.	BLHS New gym	Lansing High	Warren Middle	RCC						
6:00	38-43										<u>POOL A</u>
7:00	41-48										38-BL Bobcats
8:00	42-45										41-Atchison Co. Tigers
9:00	39-44										43-Leavenworth Pioneers 2
Sat. 6/5											48-Louisburg Wildcats
8:00	-----	-----	-----								<u>POOL B</u>
9:00	44-47	-----	-----								37-Kansas Mustangs
10:00	40-42	-----	-----								39-McLouth Bulldogs
11:00	38-48	-----	-----								44-Lansing Lions
12:00	41-43	-----	-----								47-Wamego Raiders
1:15	37-47	-----	-----								<u>Pool C</u>
2:15	40-45	-----	-----								40-NC Assault
3:15	42-46	-----	-----								42-Leavenworth Pioneers 1
4:15	43-48	-----	-----								45-T-Birds KS
5:15	37-39	-----	-----								46-Topeka Vikings
6:30	40-46	38-41	-----								
7:30	39-47	-----	37-44								G=Game #
8:30	45-46	-----	-----								D1= Division 1 Tournament
Sun. 6/6											D2=Division 2 Tournament
8:00	-----		-----	-----	-----						
9:00	-----		-----	-----	-----						BLHS new Basehor Linwood High
10:00	-----		-----	-----	-----						RCC-Riverfront Community Ctr
11:00	-----		-----	-----	-----						USM- University of Saint Mary
12:00	D1 G1		-----	D2 G8	-----						Ryan Sport Center
1:15	D1 G2		-----	D2 G9	-----						Tie Breaker System
2:15	-----		-----	-----	-----						1. Overall record
3:15	D1 G3		D1 G4	D2 G10	D2 G11						2. Head to Head
4:15	D1 G5		-----	D2 G12	-----						3. Win margin (15pt max)
5:15	D1 G7		D1 G6	D2 G14	D2 G13						4. Back to Head to Head

11th & 12th Grade Boys Division 1 Tournament
All games played Sunday
Top 2 from each pool



11th & 12th Grade Boys Division 2 Tournament
All games played Sunday
Bottom 2 from each pool

